

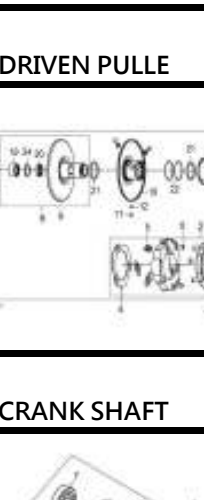
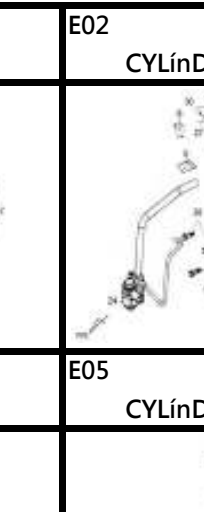
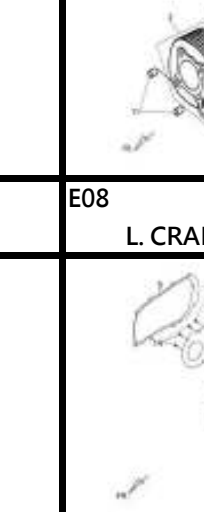

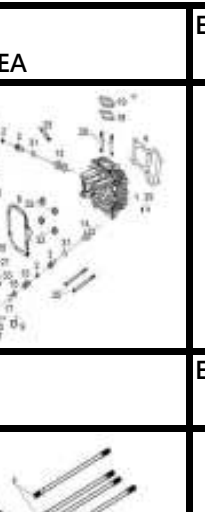
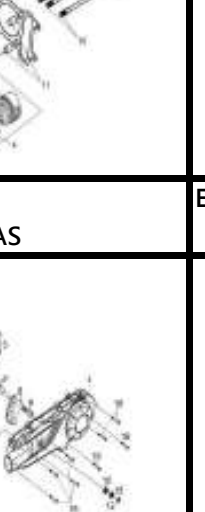
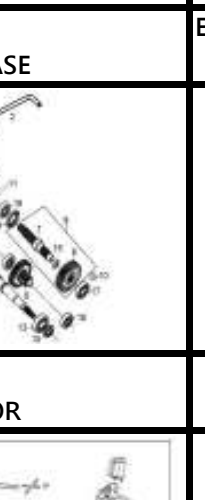


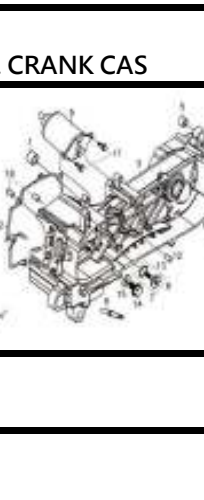
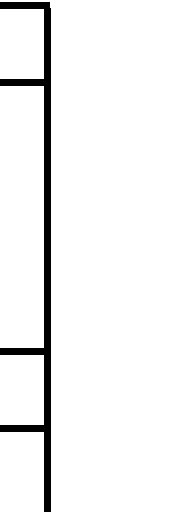
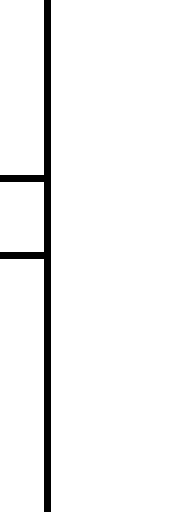




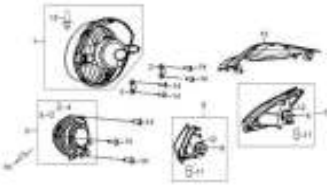
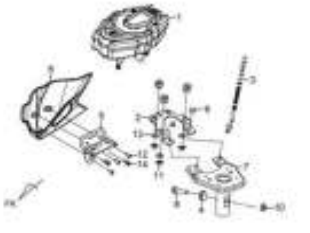
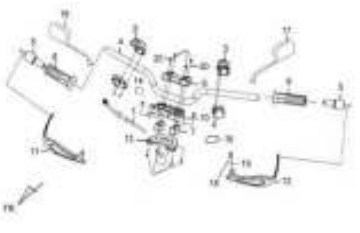

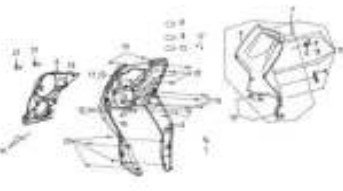
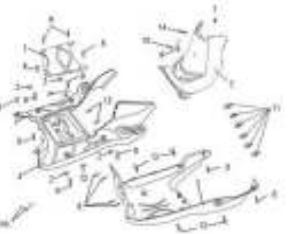
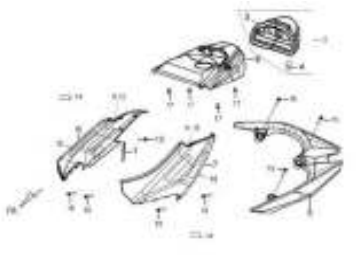
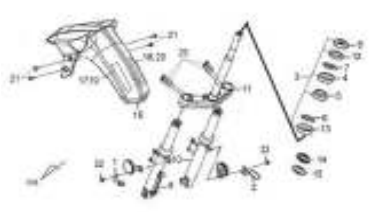

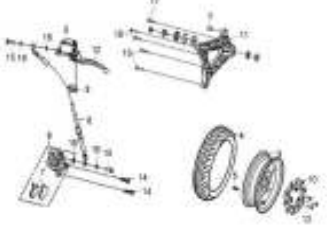
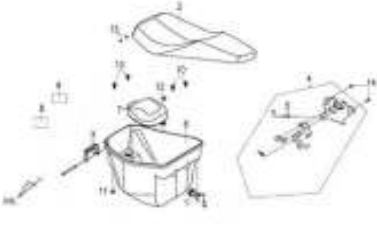
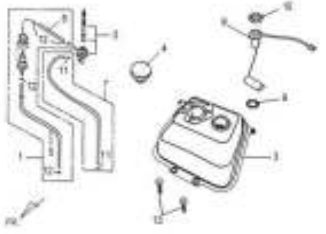
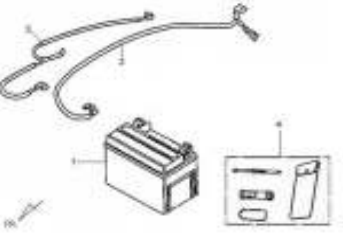
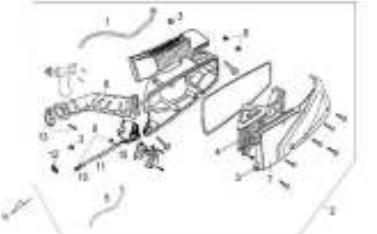
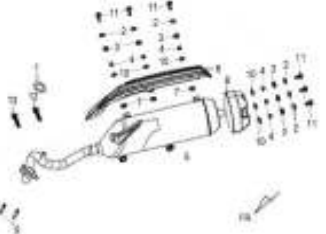
# Catálogo de Partes

CROX 125R

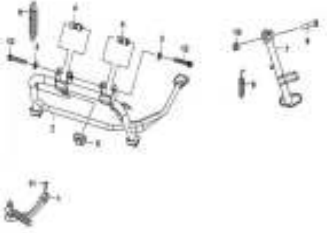
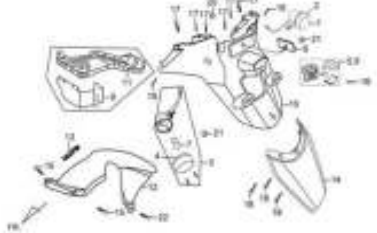
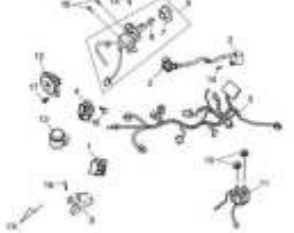
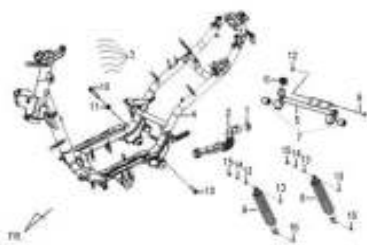
# CONTENTS-ENGINE GROUP

|   |  |   |
|---|--|---|
| <p><b>E01</b><br/>SHROUD ASSY</p>   | <p><b>E02</b><br/>CYLINDER HEA</p>   | <p><b>E03</b><br/>CAM SHAFT&amp;CY</p>  |
|    |    |    |
| <p><b>E04</b><br/>R CRANK CASE</p>  | <p><b>E05</b><br/>CYLINDER</p>   | <p><b>E06</b><br/>R. CRANK CAS</p>  |
|    |    |    |
| <p><b>E07</b><br/>AC GEN. ASSY</p>  | <p><b>E08</b><br/>L. CRANK CAS</p>   | <p><b>E09</b><br/>MOVABLE DRIV</p>  |
|    |    |    |
| <p><b>E10</b><br/>DRIVEN PULLE</p>  | <p><b>E11</b><br/>MISSION CASE</p>   | <p><b>E12</b><br/>L. CRANK CAS</p>  |
|  |  |  |
| <p><b>E13</b><br/>CRANK SHAFT</p>   | <p><b>E14</b><br/>CARBURETOR</p>   |   |
|  |  |   |

# CONTENTS—FRAME GROUP

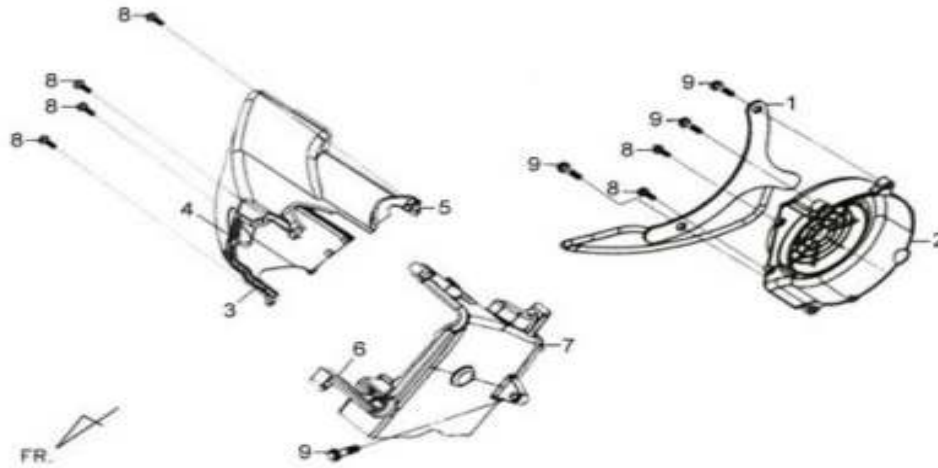
|   |   |   |
|---|---|---|
| <p><b>F01</b><br/><b>HEAD LIGHT A</b></p>    | <p><b>F02</b><br/><b>METER ASSY&amp;M</b></p>  | <p><b>F03</b><br/><b>STRG. HANDLE</b></p>     |
| <p><b>F04</b><br/><b>FR. BRAKE</b></p>       | <p><b>F05</b><br/><b>FR. COVER</b></p>         | <p><b>F06</b><br/><b>FLOOR PANEL</b></p>     |
| <p><b>F07</b><br/><b>BODY COVER</b></p>    | <p><b>F08</b><br/><b>FR FORK SET</b></p>     | <p><b>F09</b><br/><b>FR. WHEEL</b></p>      |
| <p><b>F10</b><br/><b>RR. WHEEL</b></p>     | <p><b>F11</b><br/><b>LUGGAGE BOX</b></p>     | <p><b>F12</b><br/><b>FUEL TANK</b></p>     |
| <p><b>F13</b><br/><b>BATTERY ASS'</b></p>  | <p><b>F14</b><br/><b>AIR/C</b></p>           | <p><b>F15</b><br/><b>EXH. MUFFLER</b></p>  |

# CONTENTS—FRAME GROUP

|   |   |   |
|---|---|---|
| <p>F16<br/>MAIN STAND</p>   | <p>F17<br/>RR. MUDGUARD</p>   | <p>F18<br/>WIRE HARNESS</p>   |
|  |  |  |
| <p>F19<br/>FRAME BODY</p>   |   |   |
|  |   |   |
|   |   |   |
|   |   |   |
|   |   |   |
|   |   |   |
|   |   |   |
|   |   |   |
|   |   |   |
|   |   |   |
|   |   |   |
|   |   |   |
|   |   |   |
|   |   |   |
|   |   |   |
|   |   |   |

E01  
SHROUD ASSY

AE12W9-CO (CROX 125R)

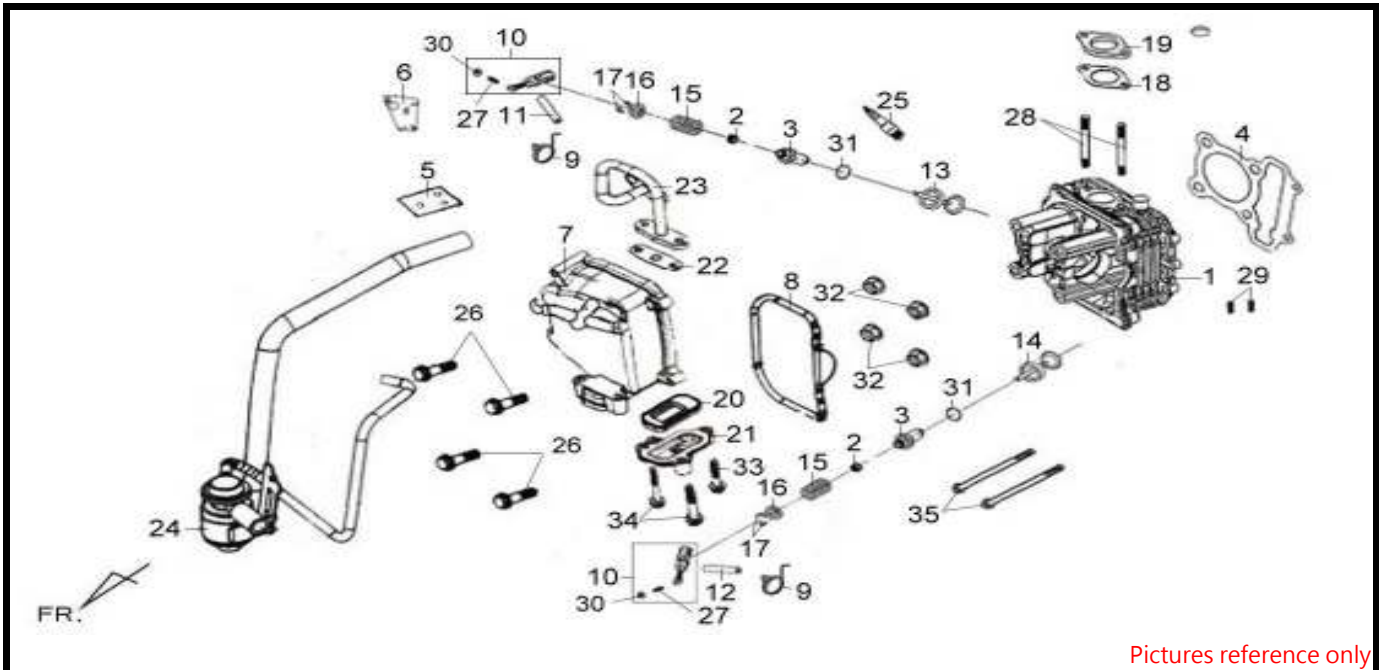


Pictures reference only

| NO  | PARTS NUMBER /REF | DESCRIPTION/ DESCRIPCION                     | QTY |  |
|-----|-------------------|--|-----|--|
| 1.0 | 18241-F6S-000     | EXH.PIPE PROTECTOR / Protector de mofle      | 1   |  |
| 2.0 | 1961A-ANL-000     | FAN COVER ASSY / Cubierta de ventilador      | 1   |  |
| 3.0 | 19625-F8A-000     | SHROUD A SEAL A / Empaque de protector motor | 1   |  |
| 4.0 | 19626-F8A-000     | SHROUD A SEAL B / Empaque de carcasa motor   | 1   |  |
| 5.0 | 1962A-ANL-000     | SHROUD A ASSY / Chapeta completa             | 1   |  |
| 6.0 | 19635-ANL-000     | SHROUD B SEAL / Sello de chapeta             | 1   |  |
| 7.0 | 1963A-ANL-000     | SHROUD B ASSY / Chapeta completa             | 1   |  |
| 8.0 | 93904-35380       | TAP SCREW 5X16 / Tornillo                    | 6   |  |
| 9.0 | 96001-06025-08    | FLANGE BOLT SH 6X25 / Tornillo               | 4   |  |

E02  
CYLINDER HEAD

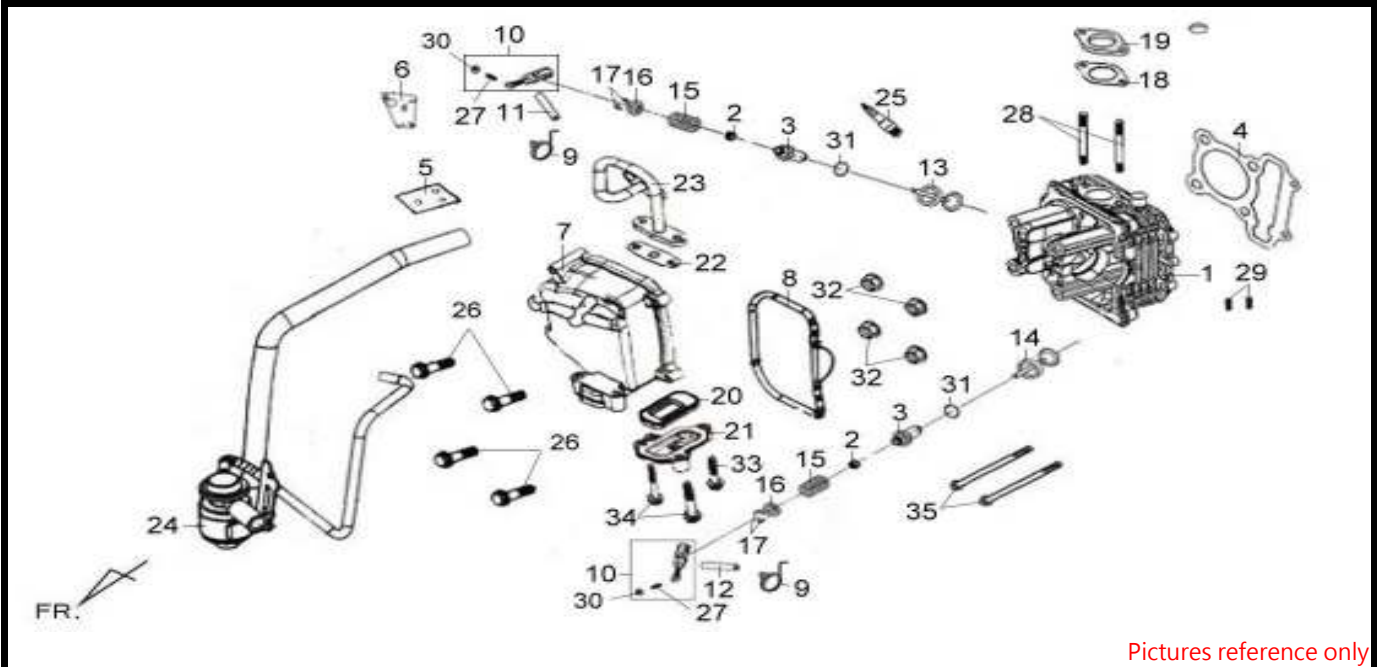
AE12W9-CO (CROX 125R)



| NO   | PARTS NUMBER/ REF | DESCRIPTION/DESCRIPCION                                  | QTY |
|------|-------------------|--|-----|
| 1.0  | 12200-ANL-000     | CYLINDER HEAD COMP / Culata                              | 1   |
| 2.0  | 12209-H6B-900     | VALVE STEM SEAL / Sello de válvulas                      | 2   |
| 3.0  | 12237-F6A-300     | IN.VALVE GUIDE / Guía de válvulas admisión               | 2   |
| 4.0  | 12251-H7A-000     | CYLINDER HEAD GASKET / Empaque de culata                 | 1   |
| 5.0  | 12302-ANL-000     | BREATHER SEP.PLATE / Platina separadora                  | 1   |
| 6.0  | 12308-F6C-000     | SEPARATE PLATE GASKET / Empaque de platina separadora    | 1   |
| 7.0  | 12310-A61-000     | CYL.HEAD COVER / Tapa válvulas                           | 1   |
| 8.0  | 12391-F8A-000     | HEAD COVER PACKING / Empaque de tapa válvulas            | 1   |
| 9.0  | 14439-F8A-000     | ROCKER ARM TORSION SPRING / Resorte de balancín          | 2   |
| 10.0 | 1443A-ANL-000     | VALVE ROCKER ARM ASSY / Balancín completo                | 2   |
| 11.0 | 14451-ANL-000     | IN.ROCKER ARM SHAFT / Pasador de balancín                | 1   |
| 12.0 | 14452-ANL-000     | EXH. ROCKER ARM SHAFT / Pasador de balancín              | 1   |
| 13.0 | 14711-F8A-000     | INLET VALVE / Válvulas de admisión                       | 1   |
| 14.0 | 14721-F8A-000     | EXHAUST VALVE / Válvulas de escape                       | 1   |
| 15.0 | 14751-ARA-000     | VALVE SPRING / Resorte de válvulas                       | 2   |
| 16.0 | 14771-F6C-A00     | RETAINER VALVE SPRING / Retenedor de resorte de válvulas | 2   |
| 17.0 | 14781-A01-A00     | VALVE COTTER / Tope de válvulas                          | 4   |
| 18.0 | 16201-ANL-010     | CARBURATOR GASKET / Empaque de ducto                     | 1   |
| 19.0 | 16211-ANL-010     | CARBURATOR / Baquela de carburador                       | 1   |
| 20.0 | 18601-MJ1-790     | REED VALVE COMP / Válvulas de paso                       | 1   |
| 21.0 | 18612-GY6-A00     | REED VALVE COVER / Cubierta de válvulas                  | 1   |
| 22.0 | 18645-M9Q-000     | A/I PIPE GASKET / Empaque de tubo aire                   | 1   |
| 23.0 | 18647-F6S-000     | AIR PIPE COMP. / Ducto completo                          | 1   |
| 24.0 | 1865A-ANL-000     | A.I.C.V. ASSY. / Válvulas aicv completa                  | 1   |
| 25.0 | 1PCR7HSA-3        | PLUG CR7HSA / Bujía                                      | 1   |

E02  
CYLINDER HEAD

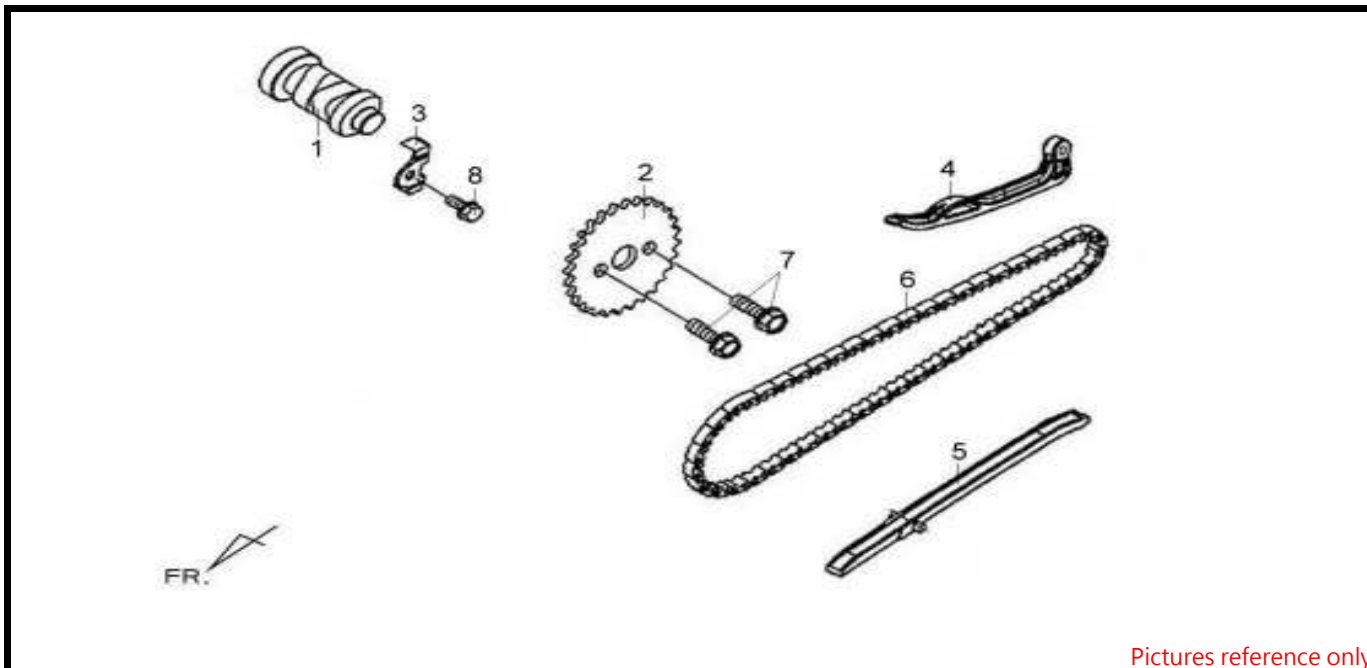
AE12W9-CO (CROX 125R)



Pictures reference only

| NO   | PARTS NUMBER/ REF | DESCRIPTION/DESCRIPCION                     | QTY |
|------|-------------------|---|-----|
| 26.0 | 90002-ANL-000     | HEAD COVER BOLT / Tornillo de culata        | 4   |
| 27.0 | 90012-M9Q-000     | TAPPET ADJUSTING SCREW / Tornillo de ajuste | 2   |
| 28.0 | 90034-ABA-000     | STUD BOLT 6X65 / Tornillo                   | 2   |
| 29.0 | 90034-HMA-000     | SPECIAL STUD BOLT 8*40 / Tornillo especial  | 2   |
| 30.0 | 90206-HLK-000     | TAPPET ADJUSTING NUT / Tuerca de ajuste     | 2   |
| 31.0 | 91305-M9Q-000     | O-Ring 9.0X1.6 MM / Oring                   | 2   |
| 32.0 | 94050-08080       | FLANGE NUT 8MM / Tuerca                     | 4   |
| 33.0 | 95701-06025-00    | FLANGE BOLT 6X25 / Tornillo                 | 1   |
| 34.0 | 95701-06045-00    | BOLT FLANGE 6X45 / Tornillo                 | 2   |
| 35.0 | 96001-06095-08    | SH FLANGE BOLT 6X95 / Tornillo              | 2   |

## CAM SHAFT&amp;CYL. HEAD L. SIDE COVER

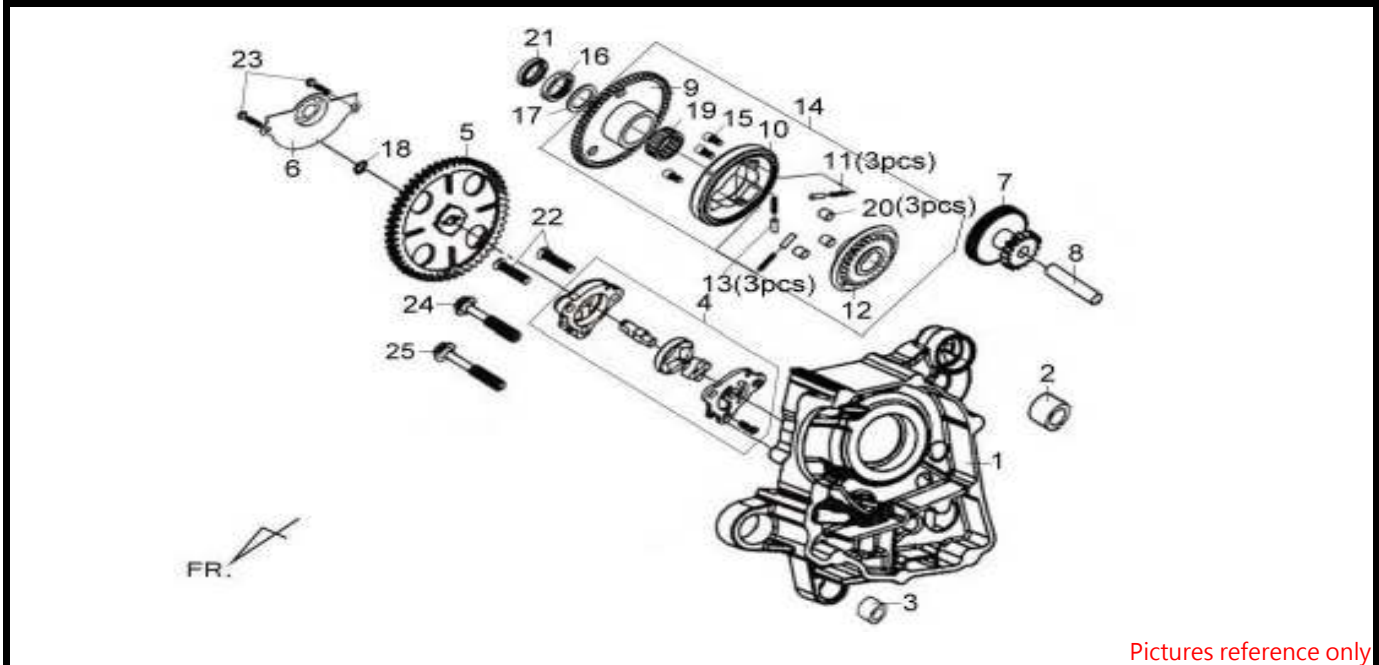


Pictures reference only

| NO  | PARTS NUMBER/REF | DESCRIPTION/DESCRIPCION                                 | QTY |  |
|-----|------------------|---|-----|--|
| 1.0 | 14100-ANL-000    | CAM SHAFT COMP / Arbol de levas completo                | 1   |  |
| 2.0 | 14105-F6A-000    | CAM SPROCKET / Piñón de distribución                    | 1   |  |
| 3.0 | 14457-ANL-000    | CAM SHAFT SETTING PLATE / Guía de piñón de distribución | 1   |  |
| 4.0 | 14510-F8A-000    | CAM CHAIN TENSIONER / Guía tensor de cadena             | 1   |  |
| 5.0 | 14610-F8A-000    | CAM CHAIN GUIDE / Guías de cadena distribución          | 1   |  |
| 6.0 | 1C14401-M92-000  | CAM CHAIN(SCR0404SVX94)(D.I.D) / Cadenilla              | 1   |  |
| 7.0 | 90083-B12-000    | KNOCK BOLT 6MM / Tornillo                               | 2   |  |
| 8.0 | 96001-06016-08   | FLANGE BOLT 6X16 / Tornillo                             | 1   |  |



## R CRANK CASE&amp;OIL PUMP ASSY

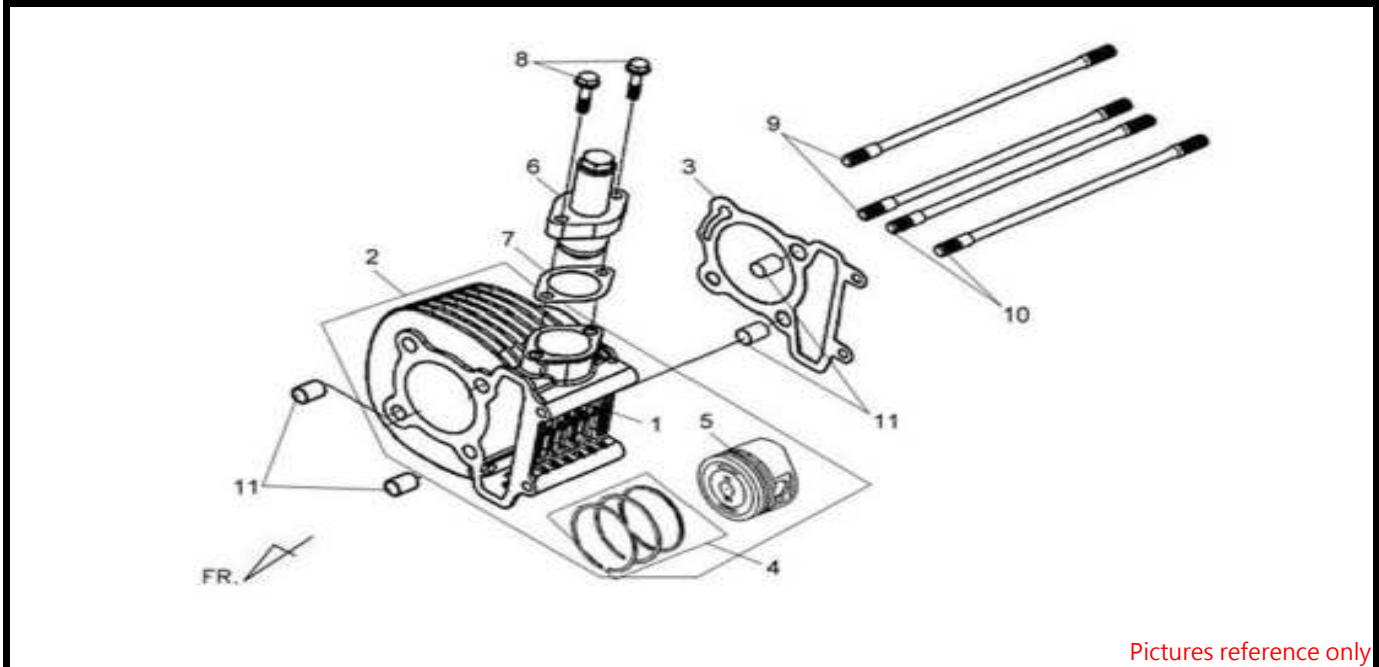


Pictures reference only

| NO   | PARTS NUMBER/REF | DESCRIPTION/DESCRIPCION                                       | QTY |
|------|------------------|---|-----|
| 1.0  | 11100-ARA-000    | R. CRAKE CASE / Carcasa derecha                               | 1   |
| 2.0  | 11102-M9Q-300    | ENG. HANGER RUB. BUSH / Buje arandela de motor                | 1   |
| 3.0  | 11205-F6A-300    | MAín STAND BUSH / Gato central arandela                       | 1   |
| 4.0  | 15100-F6C-000-XS | OIL PUMP ASSY. / Bomba de aceite completa                     | 1   |
| 5.0  | 15133-F6C-000    | OIL PUMP DRIVEN GEAR / Piñón de bomba de aceite               | 1   |
| 6.0  | 15711-M92-000    | OIL PUMP SEPARATOR / Separador bomba de aceite                | 1   |
| 7.0  | 28101-M9Q-000    | STARTER RIDUCTION GEAR COM / Piñón reductor arranque com      | 1   |
| 8.0  | 28102-GY6-900    | START.REDUCTION GEAR SHAFT / Eje de piñón reductor            | 1   |
| 9.0  | 28110-M9Q-000    | GEAR COMP STARTínG CLUTCH / Piñón reductor conjunto de clu    | 1   |
| 10.0 | 28120-M9Q-000    | START. CLUTCH OUTER / Piñón externo de clutch                 | 1   |
| 11.0 | 28124-H6T-000    | START. CLUTCH ROLLER SPG. / Resortes de rollers en el clutch  | 3   |
| 12.0 | 28125-M92-000    | START. CLUTCH FLANGE / Piñón conico del clutch                | 1   |
| 13.0 | 28126-M9Q-000    | STARTínG ROLLER SPRínG CAP / Resortes de rollers en el clutch | 3   |
| 14.0 | 2812A-H6T-900    | START.CLUTCH OUTER ASSY / Piñón externo de clutch             | 1   |
| 15.0 | 90002-M9Q-000    | SOCKET BOLT 6X10 / Tornillo                                   | 3   |
| 16.0 | 90201-GY6-900    | LOCK NUT 22MM / Tuerca de seguridad                           | 1   |
| 17.0 | 90403-M92-000    | THRUST WASHER 22.2X31X1.5 / Arandela                          | 1   |
| 18.0 | 90602-N01-000    | CIR. CLIP 8MM / Pín clip de seguridad                         | 1   |
| 19.0 | 91104-M9Q-000    | NEEDLE BRG.K28X32X17SV1 / Rodamiento                          | 1   |
| 20.0 | 91105-M9Q-000    | ROLLER / Rollers  | 3   |
| 21.0 | 91201-M9Q-300-M1 | OIL SEAL 19.8X30X5R / Sello aceite                            | 1   |
| 22.0 | 93600-06025-0H   | FLAT SCREW 6X25 / Tornillo plano                              | 2   |
| 23.0 | 96001-06012-08   | FLANGE BOLT SH 6X12 / Tornillo                                | 2   |
| 24.0 | 96001-06045-08   | FLANGE BOLT SH 6X45 / Tornillo                                | 1   |
| 25.0 | 96001-06055-08   | FLANGE BOLT SH 6X55 / Tornillo                                | 1   |

E05  
CYLINDER

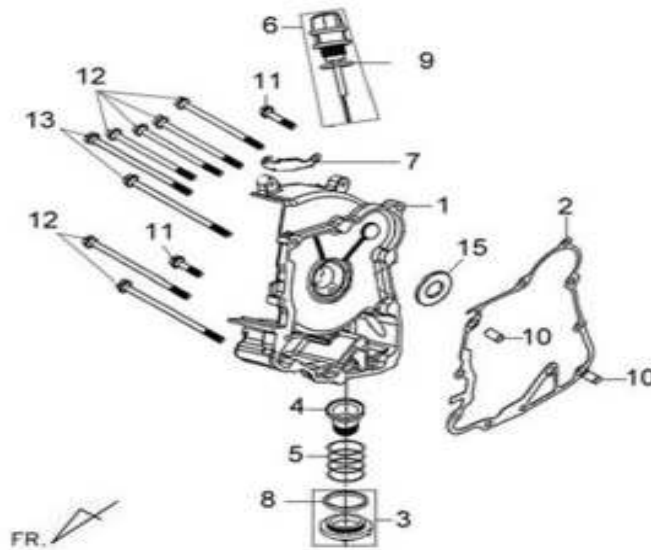
AE12W9-CO (CROX 125R)



Pictures reference only

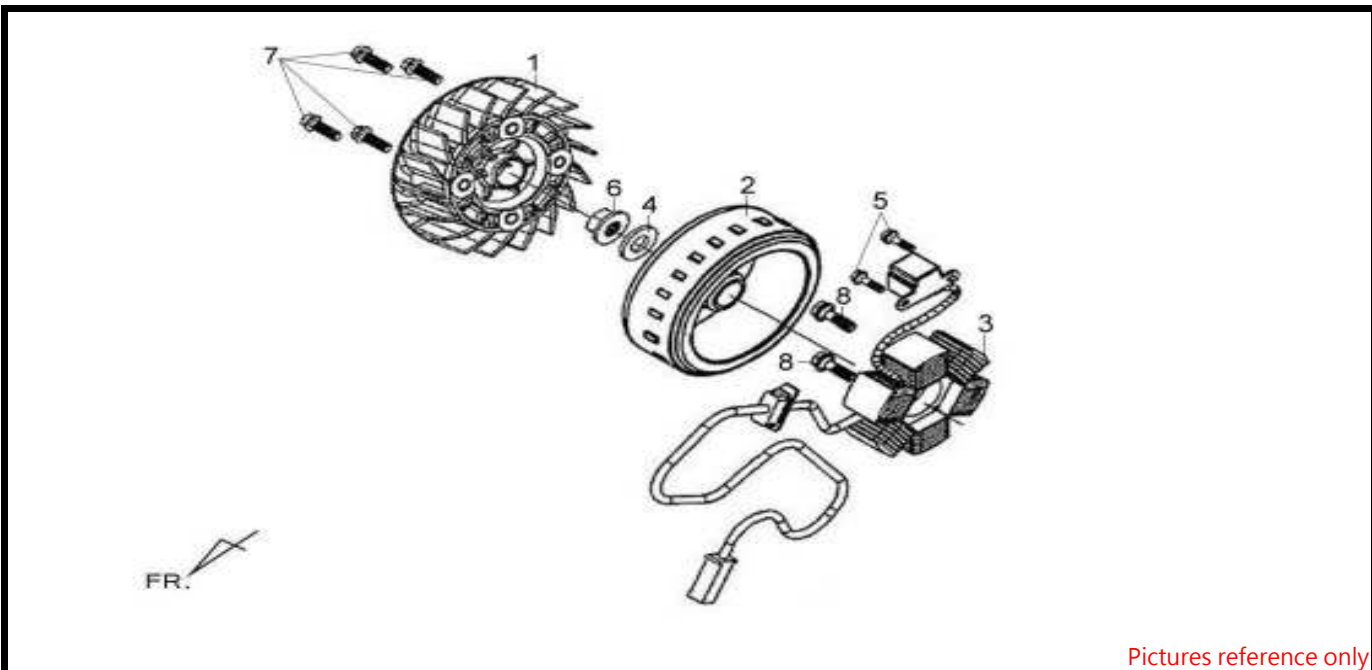
| NO   | PARTS NUMBER/REF   | DESCRIPTION/DESCRIPCION                            | QTY |  |
|------|--------------------|--|-----|--|
| 1.0  | 12100-ARA-000      | CYLINDER / Cilindro                                | 1   |  |
| 2.0  | 12100-ARA-000-A-XS | CYLINDER KIT / Cilindro completo                   | 1   |  |
| 3.0  | 12191-F6C-000      | CYLINDER GASKET / Empaque de cilindro              | 1   |  |
| 4.0  | 13010-U3A-000      | Piston Ring SET / Juego de anillos                 | 1   |  |
| 5.0  | 13101-ANL-000      | Piston / Pistón                                    | 1   |  |
| 6.0  | 14520-M9Q-000      | TENSIONER LIFTER ASSY / Tensor de cadena completa  | 1   |  |
| 7.0  | 14523-GY6-900      | TENSIONER LIFTER GASKET / Empaque tensor de cadena | 1   |  |
| 8.0  | 90001-M9Q-000      | FLANGE SHF BOLT 6X22 / Tornillo                    | 2   |  |
| 9.0  | 90031-M2Q-000      | CYL. STUD BOLT A / Tornillo de cilindro            | 2   |  |
| 10.0 | 90032-A6A-000      | CYLINDER STUD BOLT B / Tornillo de cilindro        | 2   |  |
| 11.0 | 90703-M8Q-000      | DOWEL Pin 10X14 / Pín                              | 4   |  |

## R. CRANK CASE COVER



Pictures reference only

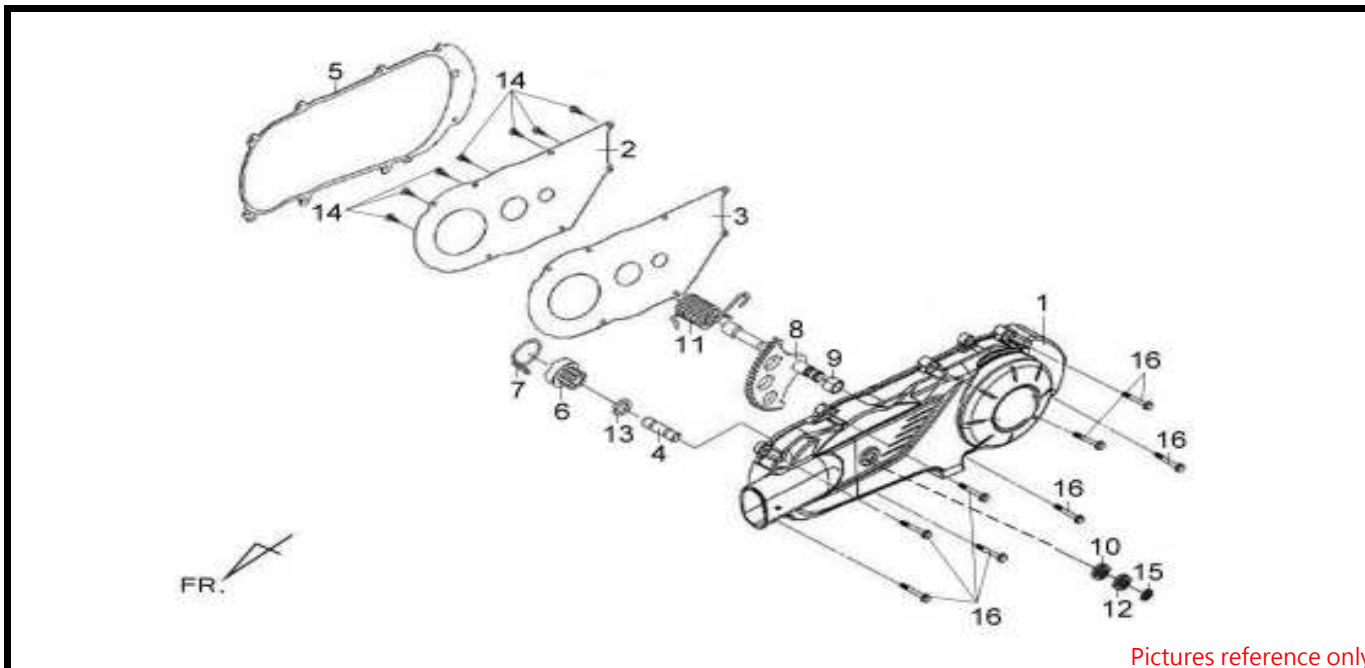
| NO   | PARTS NUMBER/REF | DESCRIPTION/DESCRIPCION                                | QTY |  |
|------|------------------|--|-----|--|
| 1.0  | 11331-ARB-000    | R. CRANK CASE COVER / Cubierta de carcasa derecha      | 1   |  |
| 2.0  | 11394-F6C-000    | R COVER GASKET / Empaque cubierta derecha              | 1   |  |
| 3.0  | 1236A-M9T-000    | TAPPET ADJ HOLE CAP ASSY / Tapon de drenaje aceite     | 1   |  |
| 4.0  | 15421-H66-000    | OIL FILTER SCREEN / Malla de filtro de aceite          | 1   |  |
| 5.0  | 15426-GE1-920    | OIL FILTER SCREEN SPRING / Resorte de filtro de aceite | 1   |  |
| 6.0  | 1565A-F6A-000    | OIL LEVEL GAUGE ASSY. / Tapon medidor de aceite        | 1   |  |
| 7.0  | 32961-ARA-000    | ACG CORD CLAMPER / Platina guía aseguradora            | 1   |  |
| 8.0  | 91302-M9Q-000    | O-RING 30.8MM / Oring                                  | 1   |  |
| 9.0  | 91307-035-000    | O-RING 18X3 / Oring                                    | 1   |  |
| 10.0 | 94301-08140      | DOWEL Pin 8X14 / Pin                                   | 2   |  |
| 11.0 | 96001-06030-08   | FLANGE SH BOLT 6X30 / Tornillo                         | 2   |  |
| 12.0 | 96001-06095-08   | SH FLANGE BOLT 6X95 / Tornillo                         | 6   |  |
| 13.0 | 96001-06100-08   | FLANGE BOLT SH 6X100 / Tornillo                        | 2   |  |



Pictures reference only

| NO  | PARTS NUMBER/REF | DESCRIPTION/DESCRIPCION                   | QTY |  |
|-----|------------------|---|-----|--|
| 1.0 | 19510-F6A-010    | COOLÍNG FAN COMP / Ventilador completo    | 1   |  |
| 2.0 | 31110-X1A-000    | FLYWHEEL COMP / Plato del stator completo | 1   |  |
| 3.0 | 31120-X1A-000    | STATOR COMP / Stator                      | 1   |  |
| 4.0 | 90440-166-000    | PLAIN WASHER 12MM / Arandela              | 1   |  |
| 5.0 | 92101-05012-0A   | HEX BOLT 5*12 / Tornillo hexagonal        | 2   |  |
| 6.0 | 94050-12000      | FLANGE NUT 12MM / Tuerca                  | 1   |  |
| 7.0 | 96001-06018-08   | FLANGE BOLT SH 6X18 / Tornillo            | 4   |  |
| 8.0 | 96001-06028-08   | FLANGE BOLT SH 6X28 / Tornillo            | 2   |  |

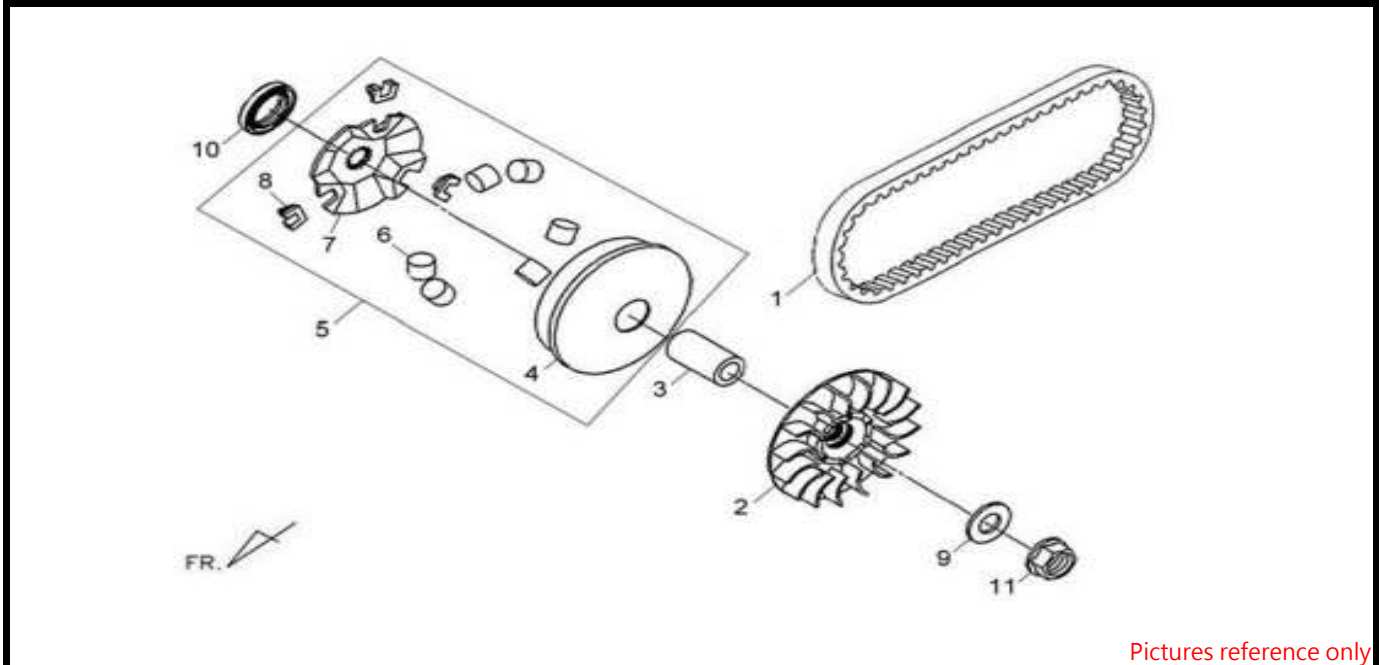
## L. CRANK CASE COVER



Pictures reference only

| NO   | PARTS NUMBER/REF | DESCRIPTION/DESCRIPCION                                      | QTY |
|------|------------------|--|-----|
| 1.0  | 11341-ANA-000-K1 | L. SIDE COVER COMP(NH-105) / Cubierta lateral izquierda comp | 1   |
| 2.0  | 11342-ANA-000    | L.CRANK COVER PLATE / Plato separador cubierta izquierda     | 1   |
| 3.0  | 11343-ANA-000    | L.COVER PLATE GASKET / Empaque de plato separador cubierta   | 1   |
| 4.0  | 11360-M92-300    | KICK STARTER DRIVEN SHAFT / Buje de piñón de arranque        | 1   |
| 5.0  | 11395-ANA-000    | L.CRANK CASE COVER GASKET / Empaque de carcasa izquierda     | 1   |
| 6.0  | 28230-H6T-000    | KICK DRIVEN GEAR COMP / Piñón de crank                       | 1   |
| 7.0  | 28233-M92-000    | KICK START.DRIVEN SPRING / Resorte de crank                  | 1   |
| 8.0  | 28250-ARA-000    | KICK STARTER SPINDLE COMP / Piñón de engranaje del crank     | 1   |
| 9.0  | 28254-M92-000    | KICK SPINDLE BUSH / Buje del piñón de engranaje del crank    | 1   |
| 10.0 | 28258-HEB-000    | WASHER / Arandela  | 1   |
| 11.0 | 28281-ARA-000    | KICK STARTER SPRING / Resorte de crank                       | 1   |
| 12.0 | 90451-M7Q-000    | KICK SPINDLE WASHER / Arandela de separacion                 | 1   |
| 13.0 | 90452-M9Q-000    | THRUST WASHER 13MM / Arandela                                | 1   |
| 14.0 | 93500-05012-0H   | PAN SCREW 5X12 / Tornillo                                    | 7   |
| 15.0 | 94511-14000      | EX. CIR CLIP 14MM / Clip pínador externo                     | 1   |
| 16.0 | 96001-06028-00   | FLANGE SH BOLT 6X28 / Tornillo                               | 8   |

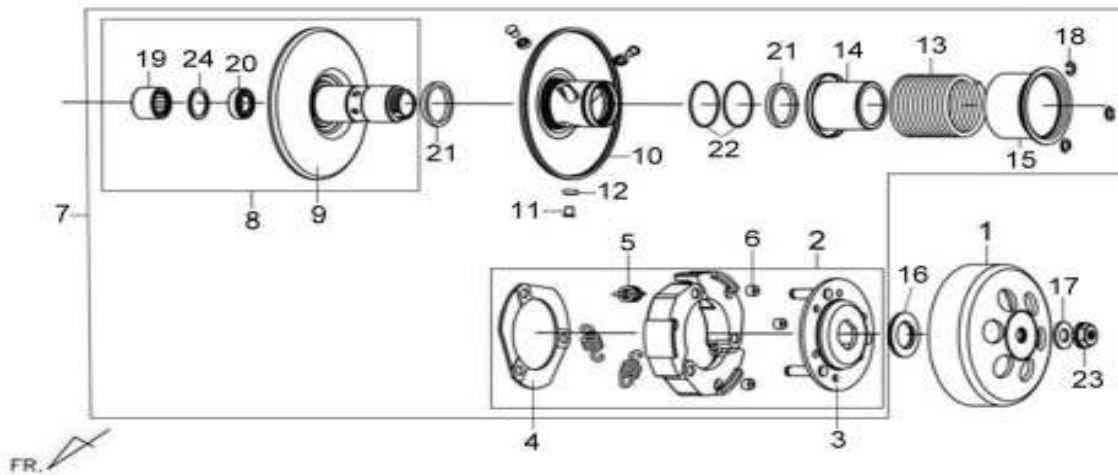
## MOVABLE DRIVE FACE ASS'Y



Pictures reference only

| NO   | PARTS NUMBER/REF | DESCRIPTION/DESCRIPCION                        | QTY |  |
|------|------------------|--|-----|--|
| 1.0  | 1B01ANA01        | DRIVE BELT 818X19.7X28 / Correa del variador   | 1   |  |
| 2.0  | 22102-M92-000    | DRIVE FACE COMP / Variador completo            | 1   |  |
| 3.0  | 22105-M92-000    | DRIVE FACE BOSS / Buje de variador             | 1   |  |
| 4.0  | 22110-H5B-000    | MOVABLE DRIVE FACE COMP / Variador plato       | 1   |  |
| 5.0  | 2211A-ARA-000    | MOVABLE DRIVE FACE / Variador                  | 1   |  |
| 6.0  | 22121-HKE-000-A  | WEIGHT ROLLER SET(10.1g) / Juego de rollers    | 1   |  |
| 7.0  | 22131-M92-000    | RAMP PLATE / Portarollers                      | 1   |  |
| 8.0  | 22132-ARA-000-A  | SLIDE PIECE(3PCS/1SET) / Guía del porta roller | 1   |  |
| 9.0  | 90440-166-000    | PLAIN WASHER 12MM / Arandela                   | 1   |  |
| 10.0 | 91202-A6A-000    | OIL SEAL 25*40*7 / Retén de aceite             | 1   |  |
| 11.0 | 94050-12000      | FLANGE NUT 12MM / Tuerca                       | 1   |  |

## DRIVEN PULLEY ASS'Y

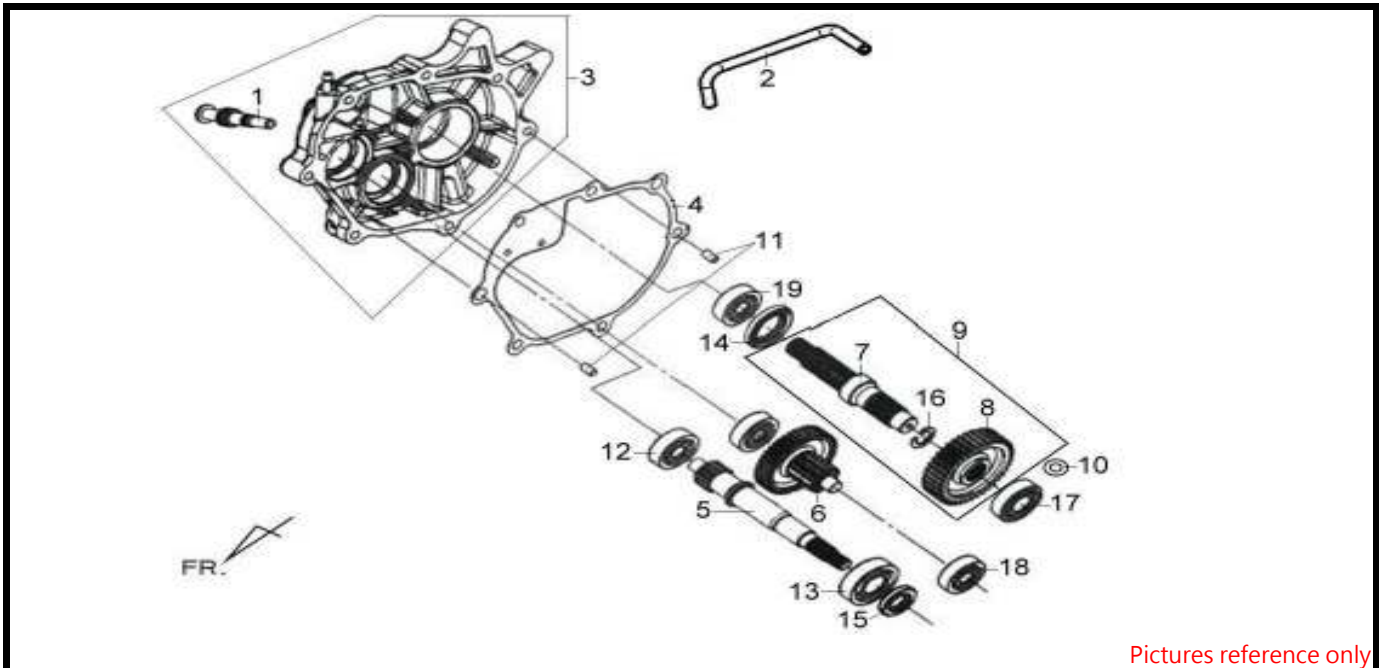


Pictures reference only

| NO   | PARTS NUMBER/REF | DESCRIPTION/DESCRIPCION                                  | QTY |
|------|------------------|--|-----|
| 1.0  | 22101-M9Q-000    | CLUTCH OUTER / Clutch externo                            | 1   |
| 2.0  | 22300-F6C-000    | DRIVE PLATE ASSY / Portazapatas y zapatas completo       | 1   |
| 3.0  | 22350-HKE-000    | CLUTCH PRESURE PLATE / Plato porta zapatas               | 1   |
| 4.0  | 22361-M9Q-000    | CLUTCH LIFTER PLATE / Plato separador                    | 1   |
| 5.0  | 22401-H6T-000    | CLUTCH SPRING / Resorte de clutch                        | 3   |
| 6.0  | 22804-M9Q-000    | CLUTCH DAMPER RUBBER / Arandela guía de zapata de clutch | 3   |
| 7.0  | 23010-F6C-000    | DRIVEN PULLEY ASSY. / Conjunto de clutch completo        | 1   |
| 8.0  | 23200-HKE-000    | DRIVEN FACE ASSY / Variador lado clutch completo         | 1   |
| 9.0  | 23210-HKE-000    | DRIVEN FACE COMP / Variador lado clutch                  | 1   |
| 10.0 | 23220-HKE-000    | MOVABLE DRIVEN FACE COMP / Variador completo             | 1   |
| 11.0 | 23225-HKE-000    | GUIDE Pin / Pín guía                                     | 3   |
| 12.0 | 23226-M9Q-000    | GUIDE ROLLER / Guía de roller                            | 3   |
| 13.0 | 23233-M9Q-000    | DRIVEN FACE SPRING / Resorte de plato de clutch          | 1   |
| 14.0 | 23237-M9Q-000    | SEAL COLLAR / Juego de sellos                            | 1   |
| 15.0 | 23238-HKE-000    | SPRING COLLAR / Plato variador lado clutch               | 1   |
| 16.0 | 90202-M9Q-000    | SPECIAL NUT 28MM / Tuerca especial                       | 1   |
| 17.0 | 90440-166-000    | PLAIN WASHER 12MM / Arandela                             | 1   |
| 18.0 | 90605-166-720    | CIR CLIP 7MM / Clip pínador interno                      | 3   |
| 19.0 | 91001-GY6-900-M1 | NDL BRG. 20X29X18 / Rodamiento                           | 1   |
| 20.0 | 91002-GA7-701    | NEEDLE BRG.6902LUC3/4E / Rodamiento                      | 1   |
| 21.0 | 91211-M8Q-000    | DRIVEN FACE SEAL 34X41X4 / Sello de variador             | 2   |
| 22.0 | 91384-M9Q-000    | O-RING 38.8X1.9 / Oring                                  | 2   |
| 23.0 | 94050-12000      | FLANGE NUT 12MM / Tuerca                                 | 1   |
| 24.0 | 94520-28000      | ín. CIR. CLIP 28MM / Clip pínador interno                | 1   |



## MISSION CASE&amp;DRIVE SHAFT



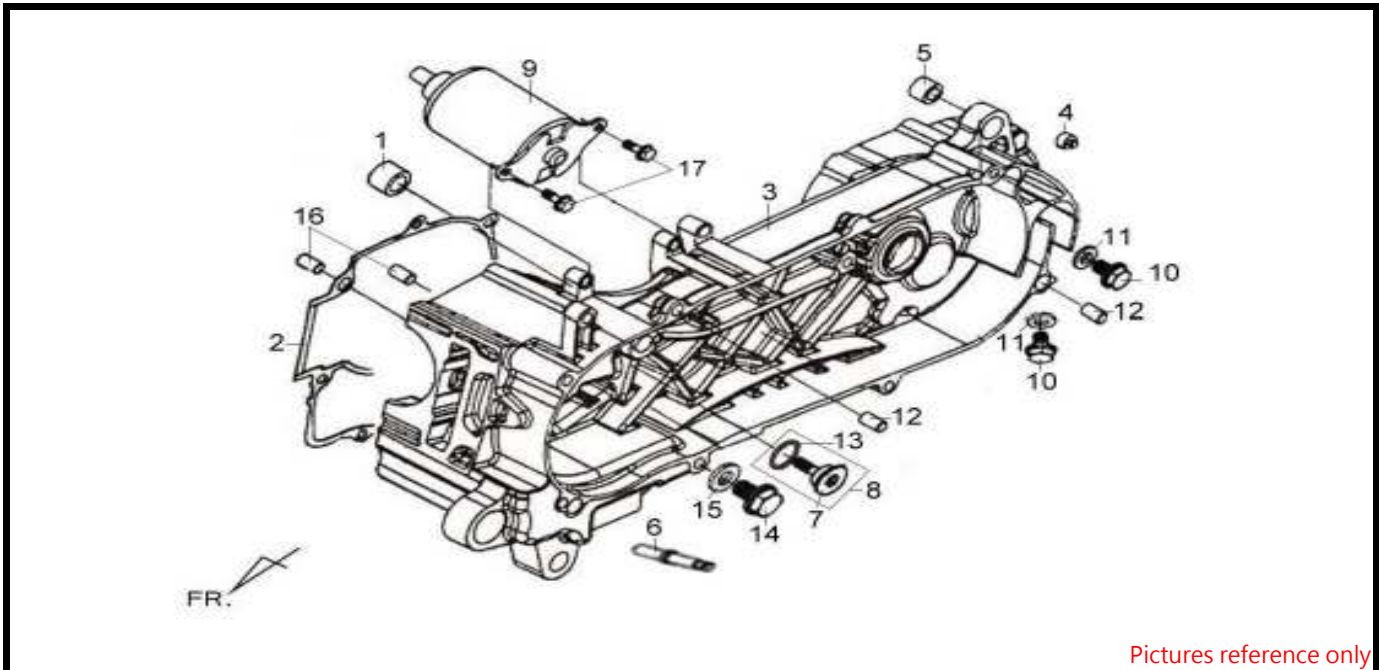
Pictures reference only

| NO   | PARTS NUMBER/REF | DESCRIPTION/DESCRIPCION                            | QTY |
|------|------------------|--|-----|
| 1.0  | 11203-AFA-000    | BRAKE SHOE ANCHOE Pín / Buje guía amortiguador     | 1   |
| 2.0  | 11221-ABA-000    | MISSION BREATHER TUBE / Manguera de respiradero    | 1   |
| 3.0  | 21200-A6A-000    | MISSION CASE / Carcasa de transmisión              | 1   |
| 4.0  | 21395-ABA-000    | MISSION COVER GASKET / Empaque de cubierta de caja | 1   |
| 5.0  | 23411-ANL-000    | DRIVE SHAFT / Eje de caja                          | 1   |
| 6.0  | 23420-ANL-010    | COUNTER SHAFT COMP / Piñón de engranaje            | 1   |
| 7.0  | 23431-AR1-000    | FínAL SHAFT / Eje de salida                        | 1   |
| 8.0  | 23432-ANL-000    | FínAL GEAR / Eje de salida                         | 1   |
| 9.0  | 2343A-AES-000    | FínAL GEAR COMP. / Eje de salida completo          | 1   |
| 10.0 | 90401-ANL-000    | WASHER 17*30*1 / Arandela                          | 1   |
| 11.0 | 90703-M8Q-000    | DOWEL Pín 10X14 / Pín                              | 2   |
| 12.0 | 91003-M8Q-000    | RADIAL BALL BRG.CSB301JR2 / Rodamiento             | 1   |
| 13.0 | 91104-KN7-670    | RADIAL BALL BRG CSB204JR2 / Rodamiento             | 1   |
| 14.0 | 91201-HHA-300    | OIL SEAL 32*47*7 / Sello aceite                    | 1   |
| 15.0 | 91202-KJ9-003    | OIL SEAL 20X32X6 / Sello aceite                    | 1   |
| 16.0 | 94510-25000      | EX. CIR CLIP 25MM / Clip circular externo          | 1   |
| 17.0 | 96100-62033-10   | RAD.BRG.BALL 6203 C3/2A / Rodamiento               | 1   |
| 18.0 | 96100-63013-00   | RAD.BALL.BRG 6301 C3 / Rodamiento                  | 2   |
| 19.0 | 96150-62043-10   | RAD.BALL.BRG.6204 LLU C3/2A / Rodamiento           | 1   |



E12  
L. CRANK CASE

AE12W9-CO (CROX 125R)

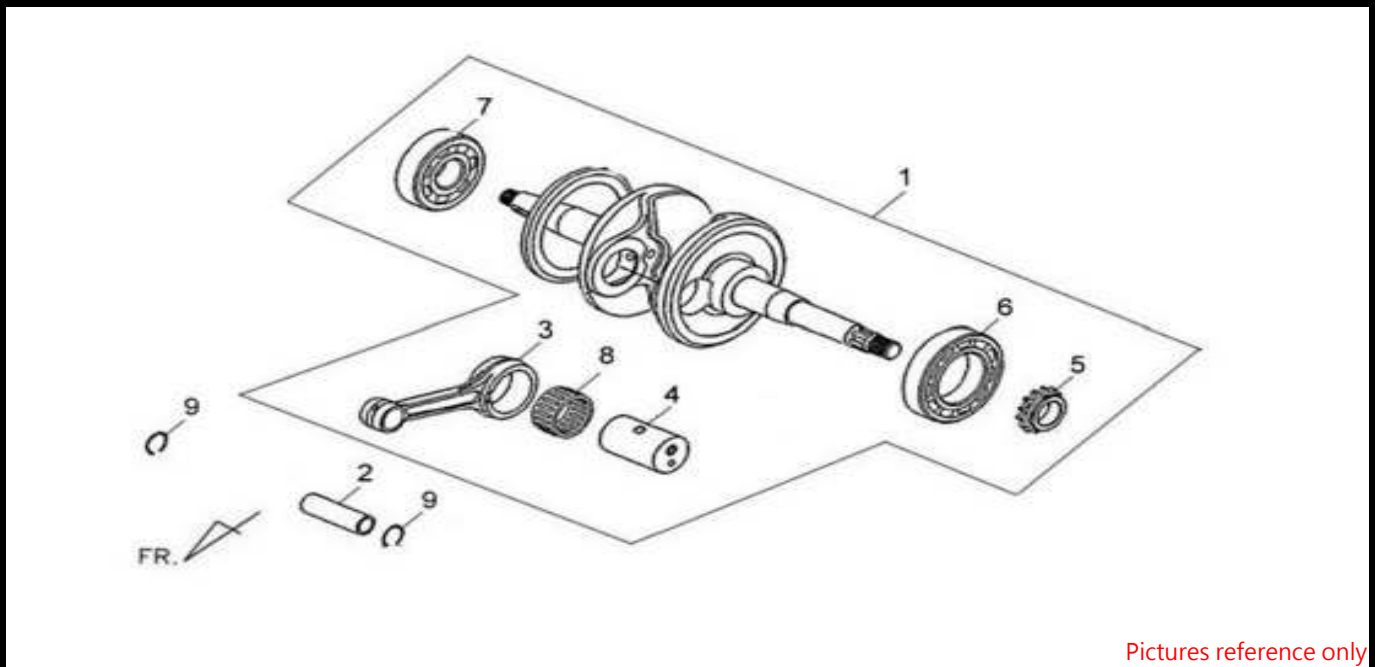


Pictures reference only

| NO   | PARTS NUMBER/REF | DESCRIPTION/DESCRIPCION                                      | QTY |
|------|------------------|--|-----|
| 1.0  | 11102-M9Q-300    | ENG. HANGER RUB. BUSH / Buje arandela de motor               | 1   |
| 2.0  | 11192-F6C-000    | R CRANK CASE GASKET / Empaque de carcasa derecha             | 1   |
| 3.0  | 11200-ANA-010    | L CRANK CASE COMP / Carcasa izquierda completa               | 1   |
| 4.0  | 11202-M92-000    | GUIDE RUBBER SPG / Arandela guía                             | 2   |
| 5.0  | 11203-GC7-300    | RR. CUSH UND BUSH RUBBER / Arandela buje tijera trasera      | 1   |
| 6.0  | 11204-ABA-000    | SPRíNG HOOK Pín / Pín resorte                                | 1   |
| 7.0  | 14531-M9Q-000    | CAM CHAín TENSIONERPIVOT / Tensor de cadena de distribuc     | 1   |
| 8.0  | 1453A-M92-000    | CAM CHAín TNSR.PIVOT ASSY / Tornillo tensor de cadena de dis | 1   |
| 9.0  | 31200-F6C-000    | START MOTOR ASSY / Motor de arranque                         | 1   |
| 10.0 | 90103-ANA-000    | SPECIAL BOLT 8MM / Tornillo especial                         | 2   |
| 11.0 | 90474-333-000-KD | WASHER 8MM / Arandela  | 2   |
| 12.0 | 90703-M8Q-000    | DOWEL Pín 10X14 / Pín  | 2   |
| 13.0 | 91304-M9Q-000    | O-RínG 15.2*1.5 / Oríng                                      | 1   |
| 14.0 | 92800-12000      | DRAín PLUG BOLT 12MM / Tornillo de drenaje aceite            | 1   |
| 15.0 | 94109-12000      | DRAín PLUG WASHER 12MM / Arandela de drenaje de aceite       | 1   |
| 16.0 | 94301-08140      | DOWEL Pín 8X14 / Pín   | 2   |
| 17.0 | 96001-06016-08   | FLANGE BOLT 6X16 / Tornillo                                  | 2   |

E13  
CRANK SHAFT

AE12W9-CO (CROX 125R)

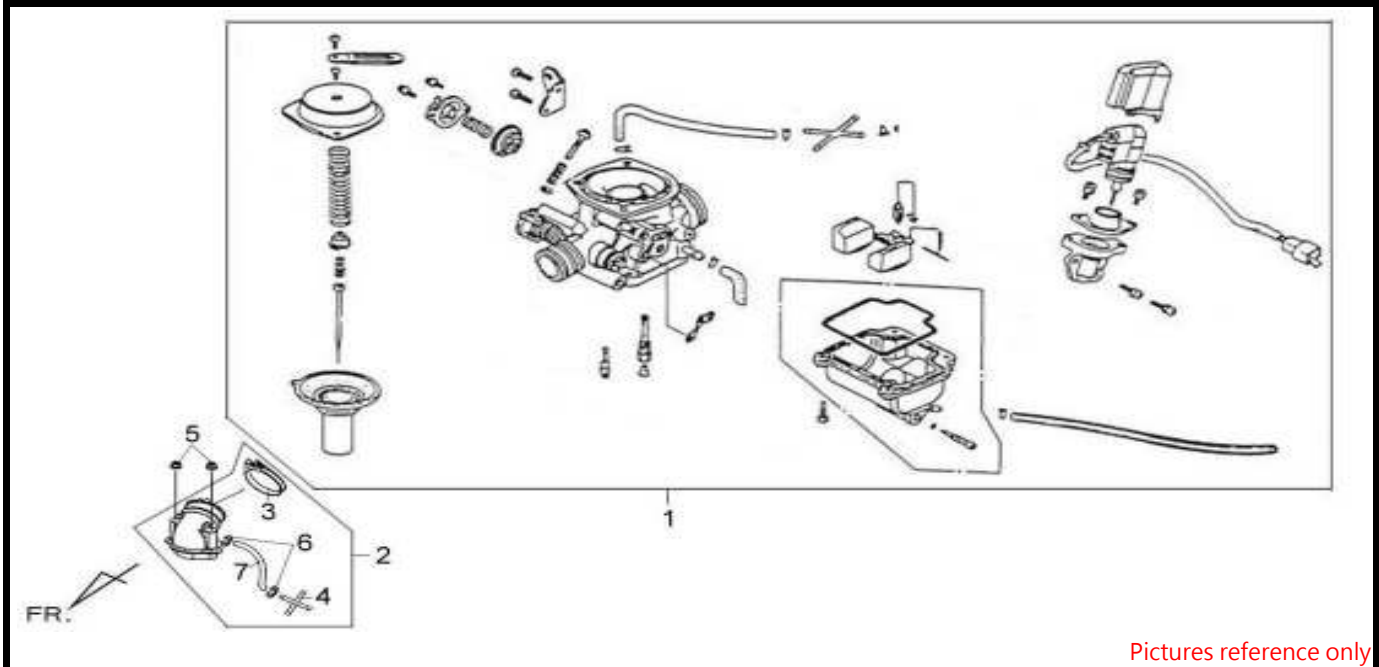


Pictures reference only

| NO  | PARTS NUMBER/REF | DESCRIPTION/DESCRIPCION                             | QTY |
|-----|------------------|---|-----|
| 1.0 | 13000-ANL-000    | CRANK SHAFT COMP / Cigüeñal completo                | 1   |
| 2.0 | 13111-ARA-000    | Pistón Pín / Pín de pistón                          | 1   |
| 3.0 | 13201-ARA-000    | CONNECTÍNG ROD / Biela                              | 1   |
| 4.0 | 13381-M92-300    | CRANK Pín / Pín de crank                            | 1   |
| 5.0 | 14311-F6A-300    | TIMÍNG SPROCKET / Piñón de distribución en cigüeñal | 1   |
| 6.0 | 91001-F6A-300    | RADIAL BALL BRG.TMB207C3 / Rodamiento 207c3         | 1   |
| 7.0 | 91001-H6B-300    | RADIAL BALL BRG.63/22 / Rodamiento                  | 1   |
| 8.0 | 91101-M9Q-000    | CONNECTÍNG ROD BEARÍNG 28X33X13.8 / Rodamiento      | 1   |
| 9.0 | 94601-15000      | Pistón Pín CLIP 15MM / Pín clip de pistón           | 2   |

E14  
CARBURETOR

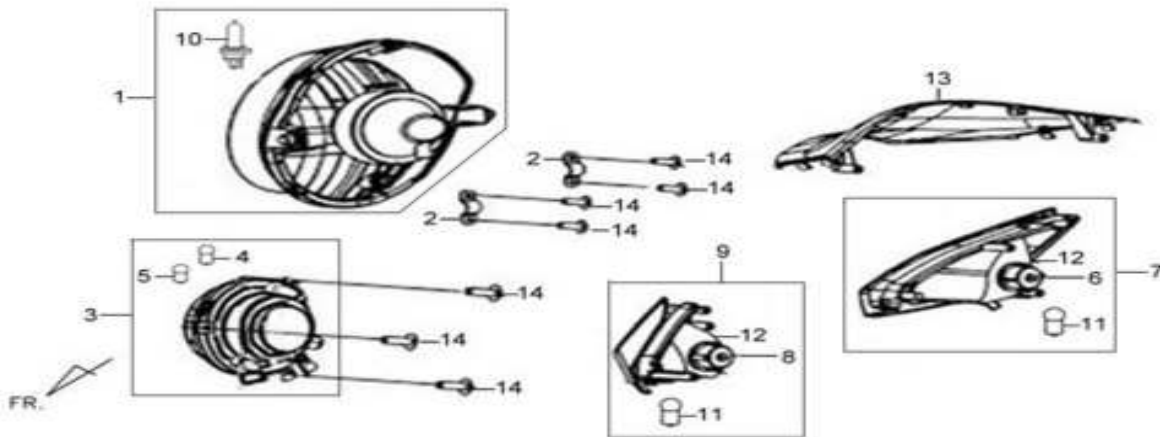
AE12W9-CO (CROX 125R)



| NO  | PARTS NUMBER/REF | DESCRIPTION/DESCRIPCION                         | QTY |
|-----|------------------|---|-----|
| 1.0 | 16100-ANM-000    | CARBURETOR ASSY / Carburador                    | 1   |
| 2.0 | 1711A-ANM-000    | ínLET PIPE ASSY / Multiple de admisión completo | 1   |
| 3.0 | 17256-M9Q-000    | ínSULATOR BAND / Abrazadera de ducto            | 1   |
| 4.0 | 18670-S6N-000    | 4-WAY JOíNT / Cruceta de admisión               | 1   |
| 5.0 | 94050-06000      | FLANGE NUT 6MM / Tuerca                         | 2   |
| 6.0 | 95002-02070      | TUBE CLIP B7 / Clip de manguera                 | 2   |
| 7.0 | 95005-35050-50   | TUBE 3.5*50 / Tubo                              | 1   |

F01  
HEAD LIGHT ASSY

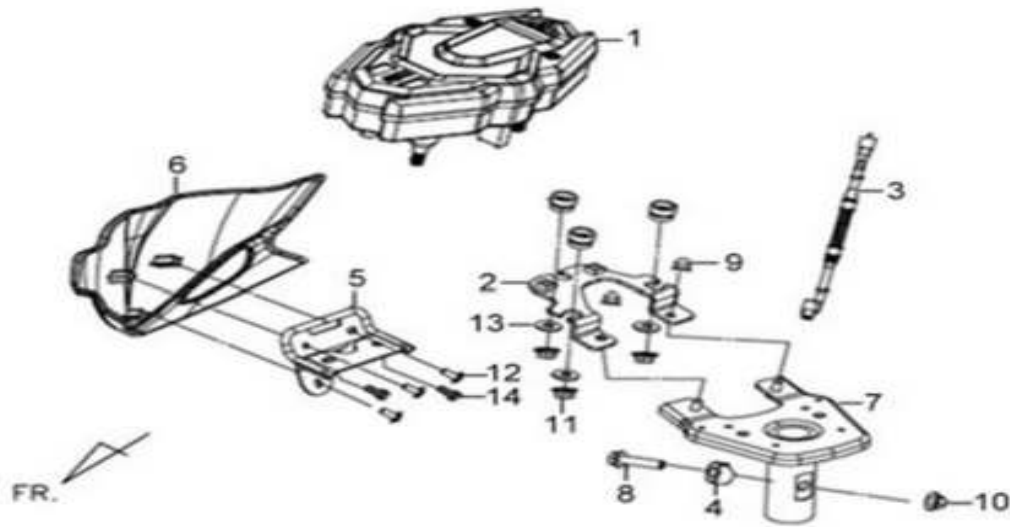
AE12W9-CO (CROX 125R)



Pictures reference only

| NO   | PARTS NUMBER/REF | DESCRIPTION/DESCRIPCION  | QTY |
|------|------------------|--|-----|
| 1.0  | 33100-AEM-000    | HEAD LIGHT ASSY / Farola completa                              | 1   |
| 2.0  | 33107-A7A-000    | HEAD LIGHT PLATE / Platina abrazadera de farola                | 2   |
| 3.0  | 33140-AEM-000    | FR POSITION LIGHT ASSY / Luz de posición completa              | 1   |
| 4.0  | 33145-AWU-000    | LED PCB 1 / Led 1  | 1   |
| 5.0  | 33146-AWU-000    | LED PCB 2 / Led 2  | 1   |
| 6.0  | 33400-AEM-000    | FR.R.WinKER ASSY / Direccional delantera derecha completa      | 1   |
| 7.0  | 33401-AEM-000    | R.FR.WinKER LENS / Cubierta de direccional delantera derecha   | 1   |
| 8.0  | 33450-AEM-000    | FR.L.WinKER ASSY / Direccional delantera izquierda completa    | 1   |
| 9.0  | 33451-AEM-000    | L.FR.WinKER LENS / Cubierta de direccional delantera izquierda | 1   |
| 10.0 | 34901-X06-000    | HEAD LIGHT BULB / Bombillo de farola                           | 1   |
| 11.0 | 34905-M70-000    | WinKER BULB RR 12V10W(E) / Bombillo de direccional             | 2   |
| 12.0 | 34906-ABF-000    | FR.R/L.WinKER SOCKET COMP / Socket                             | 2   |
| 13.0 | 64303-AWU-000-KC | FR. TOP COVER / Cubierta frontal tope                          | 1   |
| 13.0 | 64303-AWU-000-WD | FR. TOP COVER / Cubierta frontal tope                          | 1   |
| 13.0 | 64303-AWU-000-AE | FR. TOP COVER / Cubierta frontal tope                          | 1   |
| 14.0 | 93903-34340      | TAPPInG SCREW 4X12 / Arandela                                  | 7   |

## METER ASSY&amp;METER VISOR

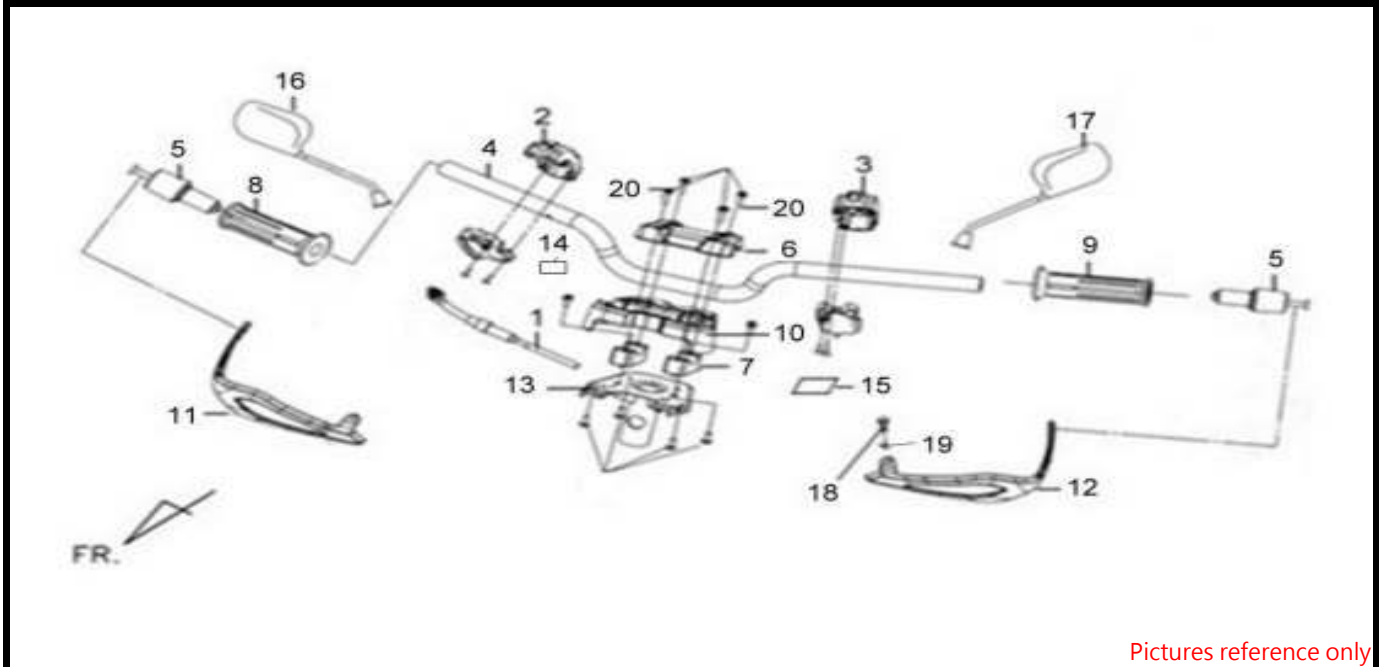


Pictures reference only

| NO   | PARTS NUMBER/REF | DESCRIPTION/DESCRIPCION                              | QTY |  |
|------|------------------|--|-----|--|
| 1.0  | 37200-AWU-000    | METER ASSY / Velocímetro completo                    | 1   |  |
| 2.0  | 37212-AJF-000    | METER STAY / Base de tacómetro                       | 1   |  |
| 3.0  | 44830-XDE-000    | SPEED.SENSOR COMP / Sensor de velocidad              | 1   |  |
| 4.0  | 53125-CT1C-A00   | HANDLE SET COLLAR / Buje de dirección                | 1   |  |
| 5.0  | 53201-AWU-000    | METER VISOR STAY / Base de visor                     | 1   |  |
| 6.0  | 53207-B9A-000-KC | METER VISOR A BK007U / Cubierta Velocímetro          | 1   |  |
| 6.0  | 53207-B9A-000-WD | METER VISOR A WH8018P / Visor blanco                 | 1   |  |
| 6.0  | 53207-B9A-000-BU | METER VISOR A BU-300S / Visor azul                   | 1   |  |
| 7.0  | 53231-AWU-000    | HANDLE PIPE UNDER HOLDER / Base inferior de sujeción | 1   |  |
| 8.0  | 90106-AAA-000    | FLANGE BOLT 10*55 / Tornillo plano                   | 1   |  |
| 9.0  | 90301-M9Q-900    | OPEN STAY NUT 6MM / Tuerca                           | 2   |  |
| 10.0 | 90304-AAA-000    | FLANGE U NUT 10MM / Tornillo                         | 1   |  |
| 11.0 | 93903-35240      | TAPPInG SCREW 5X12 / Tornillo                        | 3   |  |
| 12.0 | 93903-35240      | TAPPInG SCREW 5X12 / Tornillo                        | 3   |  |
| 13.0 | 94103-06400      | PLAIn WASHER 6MM / Arandela                          | 3   |  |
| 14.0 | 95801-06012-08   | FLANGE BOLT 6X12 / Tornillo                          | 2   |  |

F03  
STRG. HANDLE COMP.

AE12W9-CO (CROX 125R)

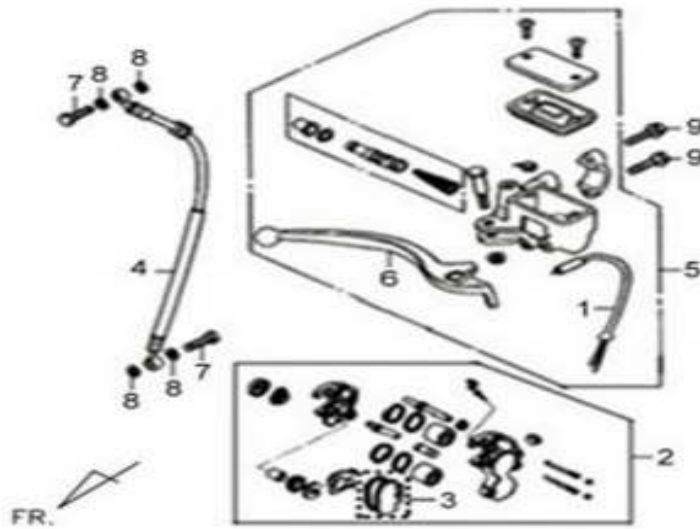


Pictures reference only

| NO   | PARTS NUMBER/REF | DESCRIPTION/DESCRIPCION                              | QTY |
|------|------------------|--|-----|
| 1.0  | 17910-AEL-000    | THROT CABLE COMP / Cable de acelerador completo      | 1   |
| 2.0  | 35150-XDE-000    | R.HANDLE SW.UNIT / Unidad de switch                  | 1   |
| 3.0  | 35200-AEN-000    | L. HANDLE SW. UNIT / Switch manigueta izquierda      | 1   |
| 4.0  | 53100-AWU-000-GY | STRG. HANDLE COMP GY-096S / Manubrio completo        | 1   |
| 5.0  | 53104-N5G-B00    | HANDLE PIPE WT. / Topes de manubrio laterales        | 2   |
| 6.0  | 53131-AWU-000    | HANDLE PIPE UP HOLDER / Base de manubrio superior    | 1   |
| 7.0  | 53132-AWU-000    | HANDLE PIPE DOWN HODLER / Base de manubrio inferior  | 2   |
| 8.0  | 53140-N7K-000    | THROT.GRIP COMP / Cable completo de acelerador       | 1   |
| 9.0  | 53166-N7K-000    | L.GRIP RUBBER / Manillar izquierdo                   | 1   |
| 10.0 | 53205-AWU-000-KC | FR.HANDLE COVER BK-007U / Sujeción manubrio          | 1   |
| 10.0 | 53205-AWU-000-WD | FR.HANDLE COVER WH-8018P / Sujeción manubrio         | 1   |
| 10.0 | 53205-AWU-000-AE | FR.HANDLE COVER GY-7450U / Sujeción manubrio         | 1   |
| 11.0 | 53208-AWU-000    | R. LEVER COVER / Protector de mano derecho           | 1   |
| 12.0 | 53209-AWU-000    | L. LEVER COVER / Protector de mano izquierda         | 1   |
| 13.0 | 53231-AWU-000    | HANDLE PIPE UNDER HOLDER / Base inferior de sujeción | 1   |
| 14.0 | 64307-ABA-000    | RUBBER SEAL / Sello arandela                         | 1   |
| 15.0 | 87170-AEL-000    | HANDLE MARK / Calcomanía                             | 1   |
| 16.0 | 88110-Z8H-000    | R. BACK MIRROR / Espejo derecho                      | 1   |
| 17.0 | 88120-Z8H-000    | L. BACK MIRROR / Espejo izquierdo                    | 1   |
| 18.0 | 90110-AWU-000    | SPECIAL BOLT 6X12 / Tornillo especial                | 1   |
| 19.0 | 90555-T3A-A00    | WASHER / Arandela                                    | 1   |
| 20.0 | 96700-06025-07   | SOCKET BOLT 6X25 / Tornillo                          | 4   |

F04  
FR. BRAKE

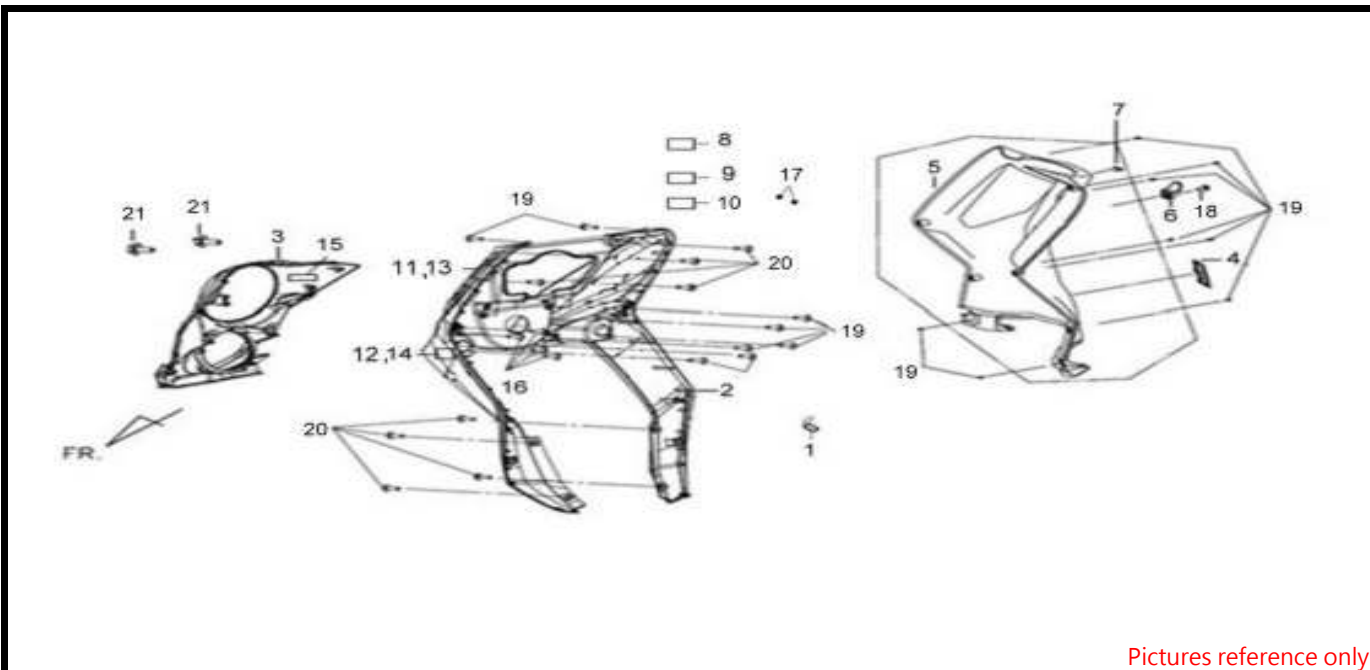
AE12W9-CO (CROX 125R)



Pictures reference only

| NO  | PARTS NUMBER/REF | DESCRIPTION/DESCRIPCION                                     | QTY |  |
|-----|------------------|---|-----|--|
| 1.0 | 35342-XDE-000    | FR.STOP SW.CORD COMP. / Switch completo de stop             | 1   |  |
| 2.0 | 45100-ATA-000-R  | FR.CALIPER ASSY / Caliper delantero                         | 1   |  |
| 3.0 | 45105-APA-000-A  | PAD CPMP A / Pasta de frenos a                              | 1   |  |
| 4.0 | 45126-AWU-000    | FR. BRAKE HOSE ASSY. / Manguera de freno delantero completa | 1   |  |
| 5.0 | 45500-AE1-000-R  | FR M/C ASS'Y / Freno delantero completo                     | 1   |  |
| 6.0 | 53170-AWU-000    | R. HANDLE LEVER / Manigueta derecha                         | 1   |  |
| 7.0 | 90145-M9Q-000    | OIL BOLT 10X22 / Tornillo de aceite                         | 2   |  |
| 8.0 | 90545-M9Q-000    | OIL BOLT WASHER / Arandela de aceite                        | 4   |  |
| 9.0 | 96700-06022-00   | SOCKET BOLT 6X22 / Tornillo                                 | 2   |  |

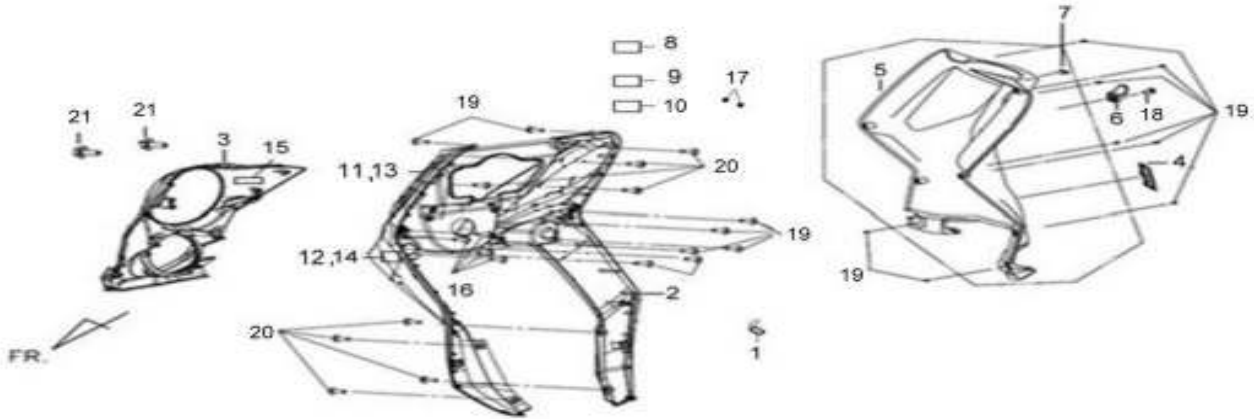




Pictures reference only

| NO   | PARTS NUMBER/REF | DESCRIPTION/DESCRIPCION                              | QTY |
|------|------------------|--|-----|
| 1.0  | 50180-AWU-000    | FR.COVER STAY / Abrazadera frontal                   | 1   |
| 2.0  | 64301-AWU-000-KC | FR.COVER BK-007U / Cubierta frontal                  | 1   |
| 2.0  | 64301-AWU-000-WD | FR.COVER WH-8018P / Cubierta frontal                 | 1   |
| 2.0  | 64301-AWU-000-BU | FR.COVER BU-300S / Cubierta frontal                  | 1   |
| 3.0  | 64302-AWU-000    | FR. COVER EMBLEM / Emblema frontal                   | 1   |
| 4.0  | 64318-ALA-000-BK | FRAME NUMBER LID(BLACK) / Emblema frontal            | 1   |
| 5.0  | 81131-ABF-000    | INNER COVER A / Cubierta salvapierna                 | 1   |
| 6.0  | 81132-M7Q-000    | LUGGAGE HOOK / Gancho porta casco                    | 1   |
| 7.0  | 81133-ABA-000    | LUGGAGE STOPPER / Tope de gancho                     | 1   |
| 8.0  | 87123-AE1-000-T1 | FR. COVER L. STRIPE A / Calcomanía frontal           | 1   |
| 8.0  | 87123-AE1-000-T2 | FR. COVER L. STRIPE A / Calcomanía frontal           | 1   |
| 9.0  | 87123-AWU-000-T2 | FR. COVER R. STRIPE / Calcomanía frontal             | 1   |
| 10.0 | 87124-AWU-000-T2 | FR. COVER R. STRIPE / Calcomanía frontal derecha     | 1   |
| 11.0 | 87131-AER-000-T2 | FR. COVER R. STRIPE / Calcomanía frontal derecha     | 1   |
| 12.0 | 87132-AER-000-T2 | FR. COVER L. STRIPE / Calcomanía frontal izquierda   | 1   |
| 13.0 | 87133-AER-000-T1 | FR.COVER R. STRIPE B / Calcomanía cubierta derecha   | 1   |
| 13.0 | 87133-AER-000-T2 | FR.COVER R. STRIPE B / Calcomanía cubierta derecha   | 1   |
| 14.0 | 87134-AER-000-T1 | FR.COVER L. STRIPE B / Calcomanía cubierta izquierda | 1   |
| 14.0 | 87134-AER-000-T2 | FR.COVER L. STRIPE B / Calcomanía cubierta izquierda | 1   |
| 15.0 | 87170-AKA-A00-T1 | SYM STRIPE(WHITE) / Calcomanía                       | 1   |
| 15.0 | 87170-AKA-A00-T2 | SYM STRIPE(BLACK) / Calcomanía                       | 1   |
| 16.0 | 90109-42128      | TAPPING SCREW M4.2x12 / Tornillo                     | 8   |
| 17.0 | 90111-AWU-000    | FR. COVER COLLAR / Buje cubierta frontal             | 2   |
| 18.0 | 90164-M9Q-000    | SCREW SPECIAL 6mm / Tornillo especial                | 1   |
| 19.0 | 93903-35240      | TAPPING SCREW 5X12 / Tornillo                        | 16  |



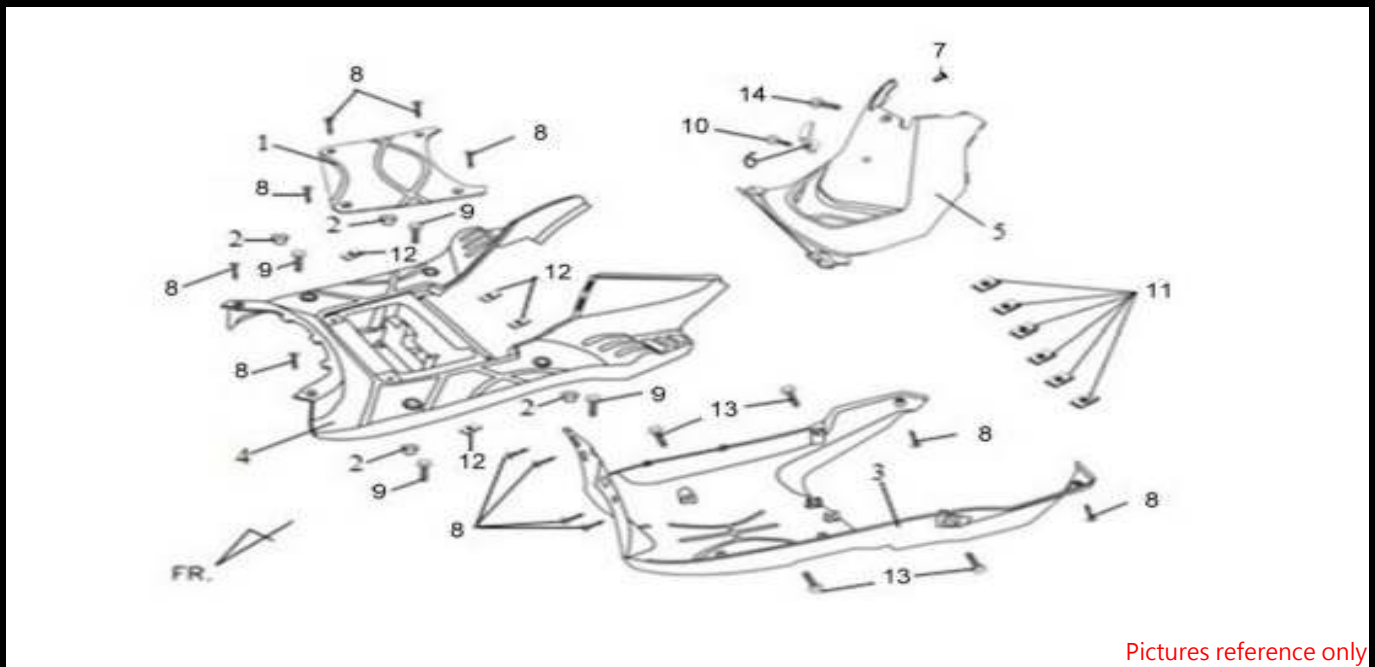


Pictures reference only

| NO   | PARTS NUMBER/REF | DESCRIPTION/DESCRIPCION       | QTY |  |
|------|------------------|-------------------------------|-----|--|
| 20.0 | 93903-45320      | TAPPING SCREW 5X16 / Tornillo | 8   |  |
| 21.0 | 96700-06012-08   | SOCKET BOLT 6X12 / Tornillo   | 2   |  |

F06  
FLOOR PANEL ASSY

AE12W9-CO (CROX 125R)

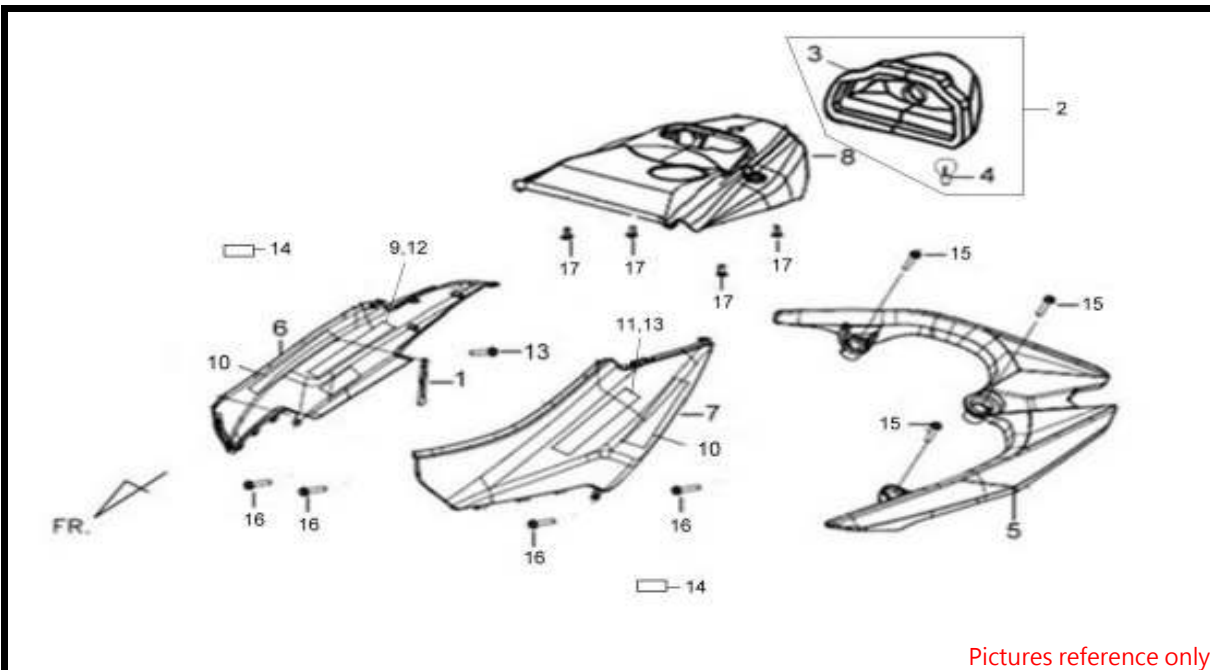


Pictures reference only

| NO   | PARTS NUMBER/REF | DESCRIPTION/DESCRIPCION               | QTY |
|------|------------------|---------------------------------------|-----|
| 1.0  | 50326-AAA-000    | BATTERY COVER / Tapa de bateria       | 1   |
| 2.0  | 50612-APA-000    | FLOOR STEP CAP A / Piso               | 4   |
| 3.0  | 50613-ABF-000    | UNDER COVER / Cubierta inferior       | 1   |
| 4.0  | 64310-ABF-000    | FLOOR PANEL / Piso                    | 1   |
| 5.0  | 80151-AAA-000    | CENTER COVER / Cubierta central       | 1   |
| 6.0  | 81132-H12-000    | LUGGAGE HOOK / Gancho porta casco     | 1   |
| 7.0  | 81133-H12-000    | LUGGAGE HOOK STOPPER / Tope de gancho | 1   |
| 8.0  | 90109-42168      | TAPPInG SCREW M4.2x16 / Tornillo      | 12  |
| 9.0  | 90111-AAA-000    | FLANGE BOLT 6MM / Tornillo            | 4   |
| 10.0 | 90115-G02-000    | BOLT 6X16 / Tornillo                  | 1   |
| 11.0 | 90302-M92-000    | SPRInG NUT 4MM / Resorte de tuerca    | 6   |
| 12.0 | 90308-X04-000    | SPECIAL NUT 5MM / Tuerca especial     | 4   |
| 13.0 | 93404-06016-00   | WASHER BOLT 6X16 / Arandela           | 4   |
| 14.0 | 93903-35240      | TAPPInG SCREW 5X12 / Tornillo         | 1   |

F07  
BODY COVER

AE12W9-CO (CROX 125R)



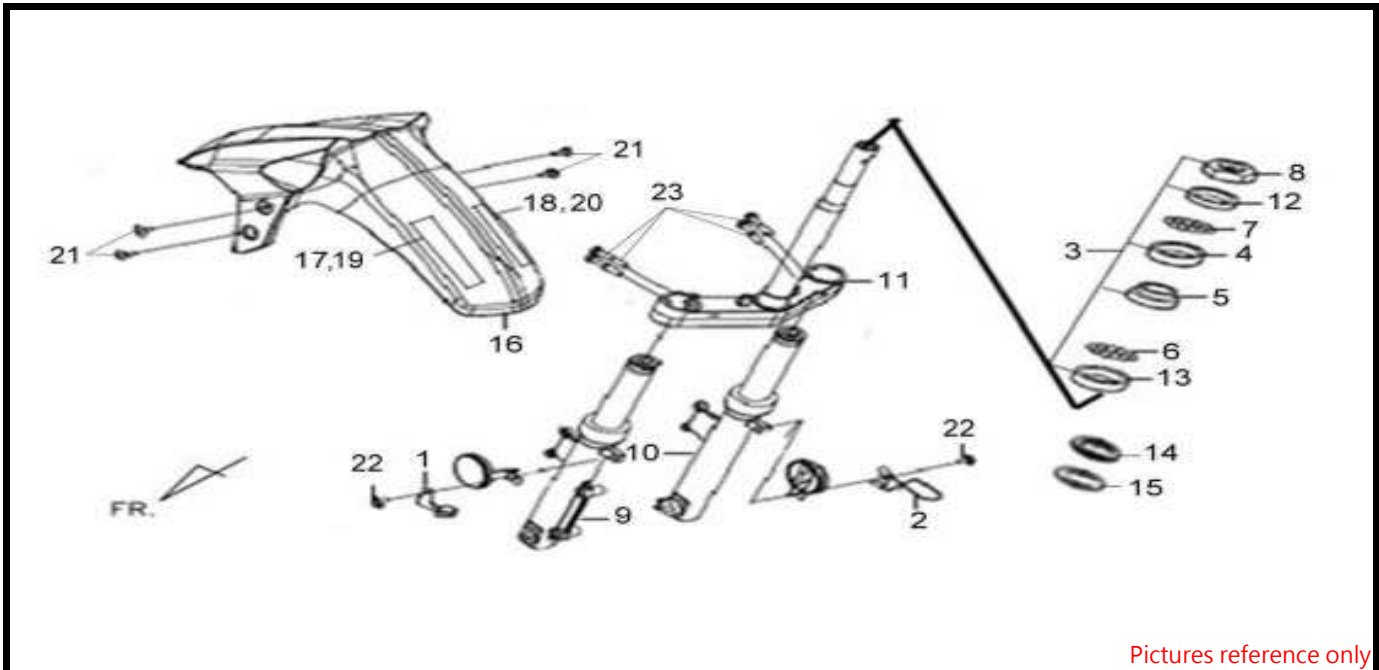
Pictures reference only

| NO   | PARTS NUMBER/REF | DESCRIPTION/DESCRIPCION                                     | QTY |
|------|------------------|---|-----|
| 1.0  | 32162-H6T-000    | CLIP 2*100 / Clip   | 1   |
| 2.0  | 33700-AEN-000    | TAIL LIGHT COMP / Cubierta de stop completo                 | 1   |
| 3.0  | 33701-AEN-000    | TAIL LIGHT LENS / Base de coca stop                         | 1   |
| 4.0  | 34906-268-600    | TAIL LIGHT & STOP BULB / Cubierta de luz y bombillo trasero | 1   |
| 5.0  | 81200-AWU-000-K1 | RR.CARRIER / Parrilla trasera                               | 1   |
| 5.0  | 81200-AWU-000-WA | RR.CARRIER / Parrilla trasera                               | 1   |
| 6.0  | 83500-AAA-000-KC | R. BODY COVER (BK007U) / Tapa lateral derecha               | 1   |
| 6.0  | 83500-AAA-000-WD | R. BODY COVER (WH8018P) / Tapa lateral derecha              | 1   |
| 6.0  | 83500-AAA-000-BU | R. BODY COVER(BU300S) / Tapa lateral derecha                | 1   |
| 7.0  | 83600-AAA-000-KC | L. BODY COVER (BK007U) / Tapa lateral izquierda             | 1   |
| 7.0  | 83600-AAA-000-WD | L. BODY COVER (WH8018P) / Tapa lateral izquierda            | 1   |
| 7.0  | 83600-AAA-000-BU | L. BODY COVER (BU300S) / Tapa lateral izquierda             | 1   |
| 8.0  | 83750-AAA-000    | RR CENTER COVER / Cubierta central                          | 1   |
| 9.0  | 87127-AWU-000-T2 | R.BODY COVER STRIPE / Calcomanía cuiberta derecha           | 1   |
| 10.0 | 87128-AEN-000    | BODY COVER EMBLEM / Emblema frontal                         | 2   |
| 11.0 | 87128-AWU-000-T2 | L.BODY COVER STRIPE / Calcomanía cubierta izquierda         | 1   |
| 12.0 | 87129-AWU-000-T2 | R.BODY COVER STRIPE B / Calcomanía cubierta derecha         | 1   |
| 13.0 | 87130-AWU-000-T2 | R.BODY COVER STRIPE B / Calcomanía cubierta derecha         | 1   |
| 14.0 | 87170-ATA-000    | SYM STRIPE (WHITE) / Calcomanía                             | 2   |
| 15.0 | 90105-ANA-000    | SPECIAL BOLT 8MM / Tornillo especial                        | 3   |
| 16.0 | 93903-35240      | TAPPInG SCREW 5X12 / Tornillo                               | 4   |
| 17.0 | 93903-35320      | TAPPInG SCREW 5X16 / Tornillo                               | 5   |

● Please check the color & stripe information according to the color index !

F08  
FR FORK SET

AE12W9-CO (CROX 125R)

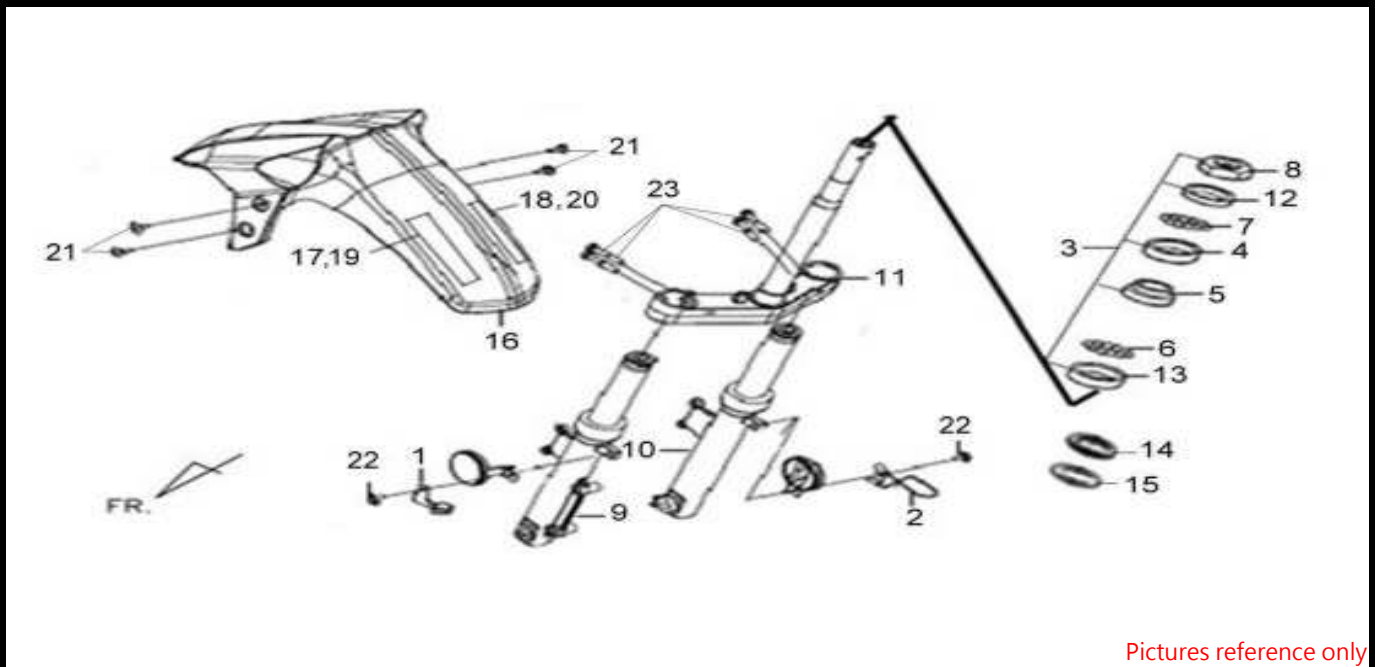


Pictures reference only

| NO   | PARTS NUMBER/REF | DESCRIPTION/DESCRIPCION  | QTY |
|------|------------------|--|-----|
| 1.0  | 45156-AAA-000    | FR. BRK. HOSE CLAMP / Abrazadera de manguera freno delante       | 1   |
| 2.0  | 45465-AAA-000    | CABLE GUIDE / Guía de cable                                      | 1   |
| 3.0  | 50300-M9Q-A00    | BALL RACE SET / Juego de balines cuna de dirección               | 1   |
| 4.0  | 50301-M9Q-000-XS | STRG.UP BALL RACE / Balines y pista superior cunas               | 1   |
| 5.0  | 50302-M9Q-000-XS | UNDER STRG.BALL RACE / Pista de balines cunas de dirección inf   | 1   |
| 6.0  | 50303-AAA-000    | UP STEEL BALLS AND RETAINER ASSY / Balines y cunas superiores    | 1   |
| 7.0  | 50304-AAA-000    | LOWER STEEL BALLS AND RETAINER ASSY / Balines y cunas inferiores | 1   |
| 8.0  | 50306-M9Q-000-XS | STRG. STEM LOCK NUT / Tuerca superior cunas                      | 1   |
| 9.0  | 51400-AWA-000    | R.FR.CUSHION / Amortiguador delantero derecho                    | 1   |
| 10.0 | 51500-AWA-000    | L.FR.CUSHION ASSY / Amortiguador delantero izquierdo             | 1   |
| 11.0 | 53200-AAA-000    | STRG STEM COMP / Caña completa (porta cunas de dirección)        | 1   |
| 12.0 | 53211-M9Q-000-XS | RACE STRG TOP CONE / Cuna superior                               | 1   |
| 13.0 | 53212-M9Q-000-XS | RACE STRG BOTTOM CONE / Cuna inferior                            | 1   |
| 14.0 | 53214-M9Q-000    | DUST SEAL STRG HANDLE / Empaque en cunas de dirección            | 1   |
| 15.0 | 53215-M9Q-000    | STRG HEAD DUST SEAL WASHER / Empaque en cunas de dirección       | 1   |
| 16.0 | 61100-AWU-000-WD | FR FENDER (WH-8018P) / Guardabarro delantero                     | 1   |
| 16.0 | 61100-AWU-000-KC | FR FENDER (BK-007U) / Guardabarro delantero                      | 1   |
| 16.0 | 61100-AWU-000-AE | FR FENDER (GY-7450U) / Guardabarro delantero                     | 1   |
| 17.0 | 87125-AWU-000-T2 | FR.FENDER R. STRIPE / Calcomanía frontal derecha                 | 1   |
| 18.0 | 87126-AWU-000-T2 | FR.FENDER L. STRIPE / Calcomanía frontal izquierda               | 1   |
| 19.0 | 87131-AE1-000-T1 | FR.FENDER R. STRIPE / Calcomanía derecha guardabarro delante     | 1   |
| 19.0 | 87131-AE1-000-T2 | FR.FENDER R. STRIPE / Calcomanía derecha guardabarro delante     | 1   |
| 20.0 | 87132-AE1-000-T1 | FR.FENDER L. STRIPE / Calcomanía izquierda guardabarro delante   | 1   |
| 20.0 | 87132-AE1-000-T2 | FR.FENDER L. STRIPE / Calcomanía izquierda guardabarro delante   | 1   |
| 21.0 | 90164-M9Q-000    | SCREW SPECIAL 6mm / Tornillo especial                            | 4   |

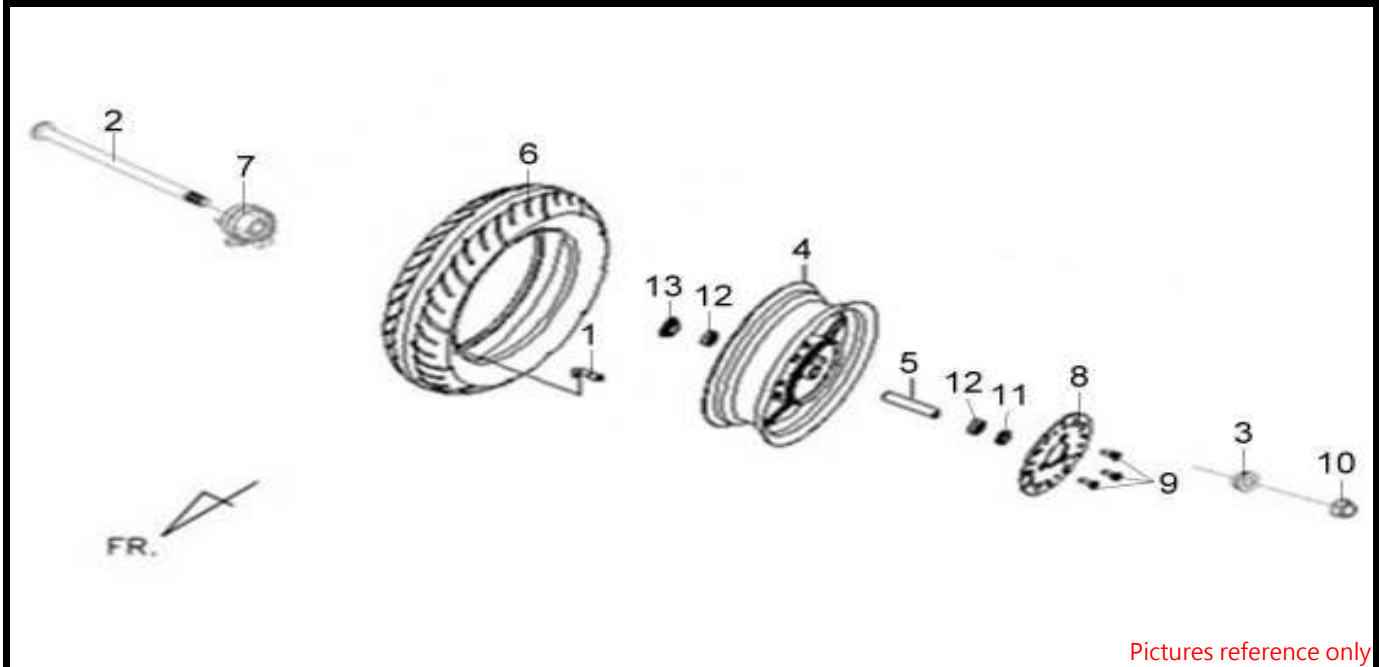
F08  
FR FORK SET

AE12W9-CO (CROX 125R)



Pictures reference only

| NO   | PARTS NUMBER/REF | DESCRIPTION/DESCRIPCION     | QTY |
|------|------------------|-----------------------------|-----|
| 22.0 | 93404-06016-00   | WASHER BOLT 6X16 / Arandela | 2   |
| 23.0 | 95801-08040-00   | FLANGE BOLT 8X40 / Tornillo | 4   |

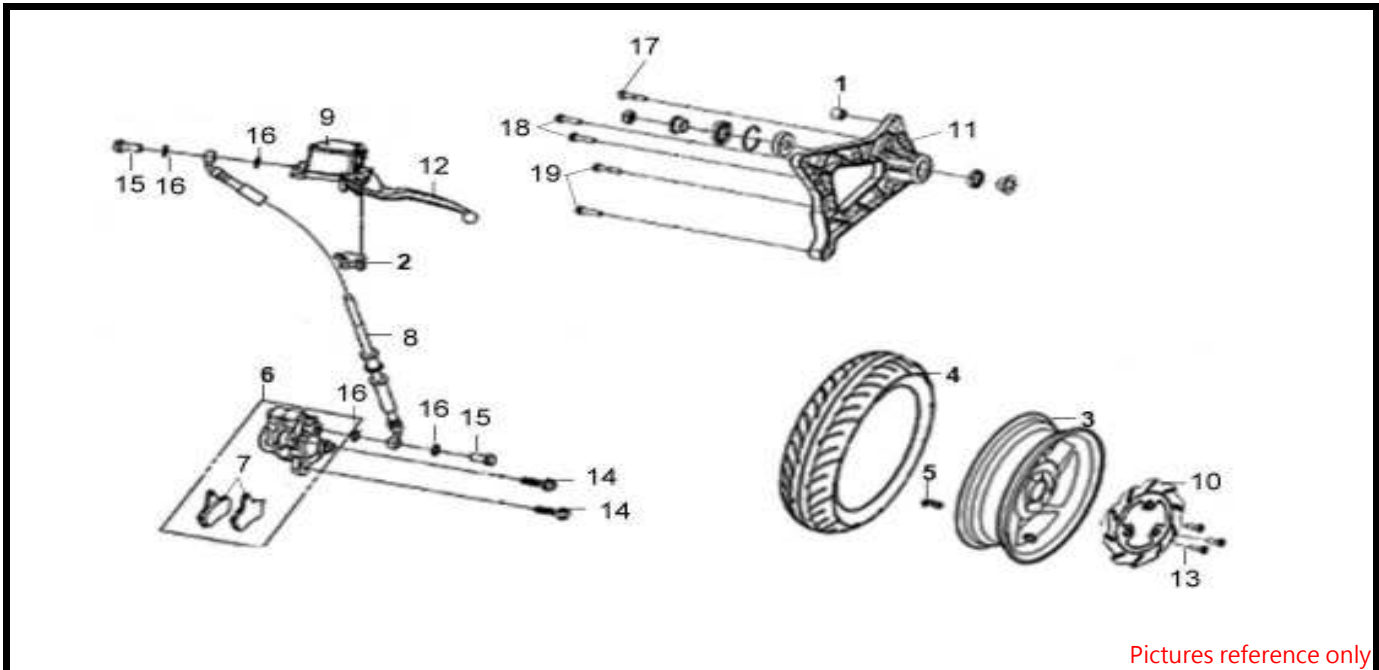


Pictures reference only

| NO   | PARTS NUMBER/REF | DESCRIPTION/DESCRIPCION                                | QTY |
|------|------------------|--|-----|
| 1.0  | 42753-ABA-000    | VALVE RIM / Válvulas de rín                            | 1   |
| 2.0  | 44301-AAA-000    | FR WHEEL AXLE / Eje de rueda delantero                 | 1   |
| 3.0  | 44311-AAA-000    | COLLAR FR WHEEL SIDE / Buje guía de rín trasero        | 1   |
| 4.0  | 44601-XFA-000-K  | FR. WHEEL RIM COMP / Rín delantero                     | 1   |
| 5.0  | 44620-AAA-000    | FR. AXLE DISTANCE COLLAR / Buje de eje rueda delantero | 1   |
| 6.0  | 44710-ANG-000    | FR.TIRE SET / Juego llanta delantera                   | 1   |
| 7.0  | 44800-ATA-000-BT | SPEEDOMETER GEAR BOX / Velocímetro completo            | 1   |
| 8.0  | 45121-AWU-000-K  | FR.BRAKE DISK / Freno de disco delantero               | 1   |
| 9.0  | 90106-N02-000    | FR. DISK BOLT 8*26 / Tornillo de disco delantero       | 3   |
| 10.0 | 90306-N7C-000    | SELF LOCK NUT 12MM / Tuerca de seguro                  | 1   |
| 11.0 | 90754-M9Q-000-M2 | DUST SEAL 20X32X5 / Sellos                             | 1   |
| 12.0 | 90912-M9Q-000-M1 | BEARinG 6201LU/2A / Rodamiento                         | 2   |
| 13.0 | 91258-M9Q-000-M2 | SPEEDOMETER GEAR BOX SEAL / Sello de Velocímetro       | 1   |

F10  
RR. WHEEL

AE12W9-CO (CROX 125R)

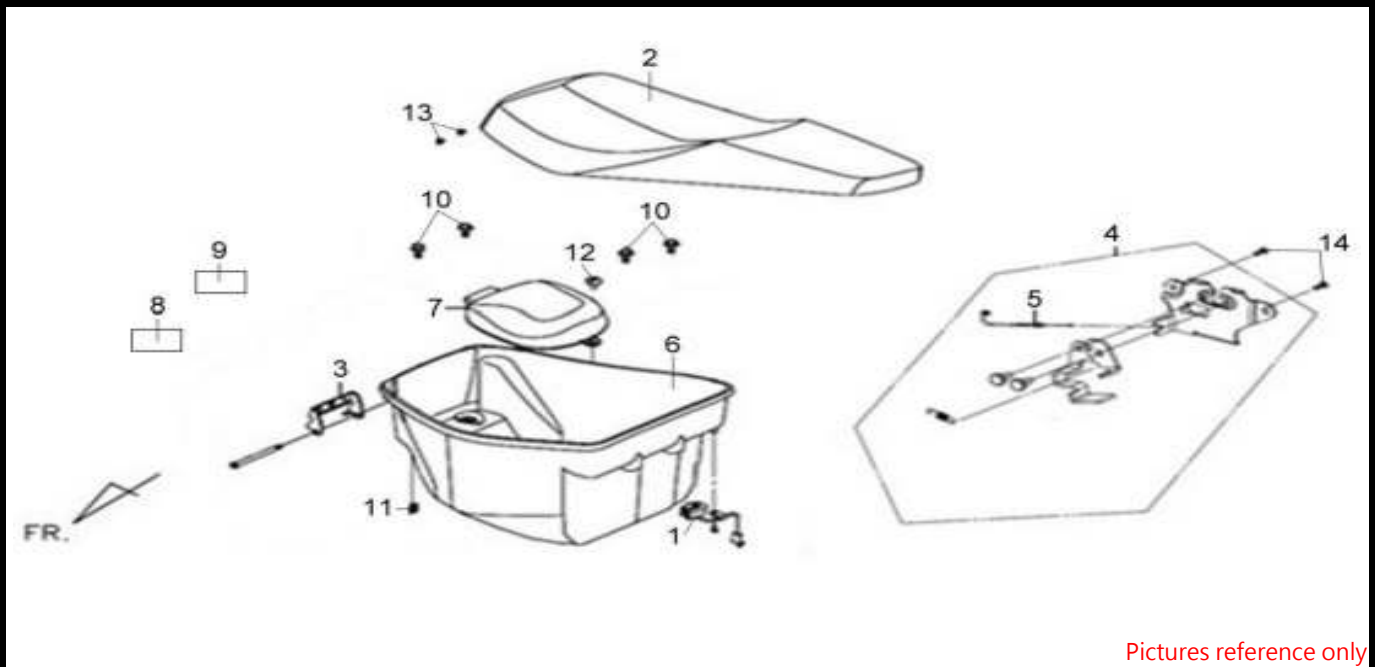


Pictures reference only

| NO   | PARTS NUMBER/REF | DESCRIPTION/DESCRIPCION                                 | QTY |
|------|------------------|---|-----|
| 1.0  | 11203-GC7-300    | RR. CUSH UND BUSH RUBBER / Arandela buje tijera trasera | 1   |
| 2.0  | 35342-XDE-000    | FR.STOP SW.CORD COMP. / Switch completo de stop         | 1   |
| 3.0  | 42601-XJA-000-K  | RR.CAST WHEEL / Rín trasero                             | 1   |
| 4.0  | 42710-ANG-000    | RR.TIRE / Llanta trasera                                | 1   |
| 5.0  | 42753-ABA-000    | VALVE RIM / Válvula de rín                              | 1   |
| 6.0  | 43100-XJA-000    | RR. CALIPER ASSY / Caliper trasero                      | 1   |
| 7.0  | 43105-ARB-000-A  | PAD SET / Pastillas de frenos                           | 1   |
| 8.0  | 43126-AE1-000    | RR. BRAKE HOSE COMP / Manguera de freno trasero         | 1   |
| 9.0  | 43500-AE1-000    | RR. M/C ASSY / Bomba de freno trasera                   | 1   |
| 10.0 | 45121-AWU-000-K  | FR.BRAKE DISK / Freno de disco delantero                | 1   |
| 11.0 | 52100-AEF-000    | RR. FORK / Tijera trasera                               | 1   |
| 12.0 | 53178-AE1-000    | L. STRG. HANDLE LEVER / Manigueta izquierda             | 1   |
| 13.0 | 90106-N02-000    | FR. DISK BOLT 8*26 / Tornillo de disco delantero        | 3   |
| 14.0 | 90131-ARB-000    | FLANGE BOLT 8X35 / Tornillo                             | 2   |
| 15.0 | 90145-M9Q-000    | OIL BOLT 10X22 / Tornillo de aceite                     | 2   |
| 16.0 | 90545-M9Q-000    | OIL BOLT WASHER / Arandela de aceite                    | 4   |
| 17.0 | 95801-08035-07   | FLANGE BOLT M8X35 / Tornillo                            | 1   |
| 18.0 | 95801-08045-07   | FLANGE BOLT 8X45 / Tornillo                             | 2   |
| 19.0 | 95801-08064-08   | FLANGE BOLT 8X64 / Tornillo                             | 2   |

**F11  
LUGGAGE BOX**

**AE12W9-CO (CROX 125R)**



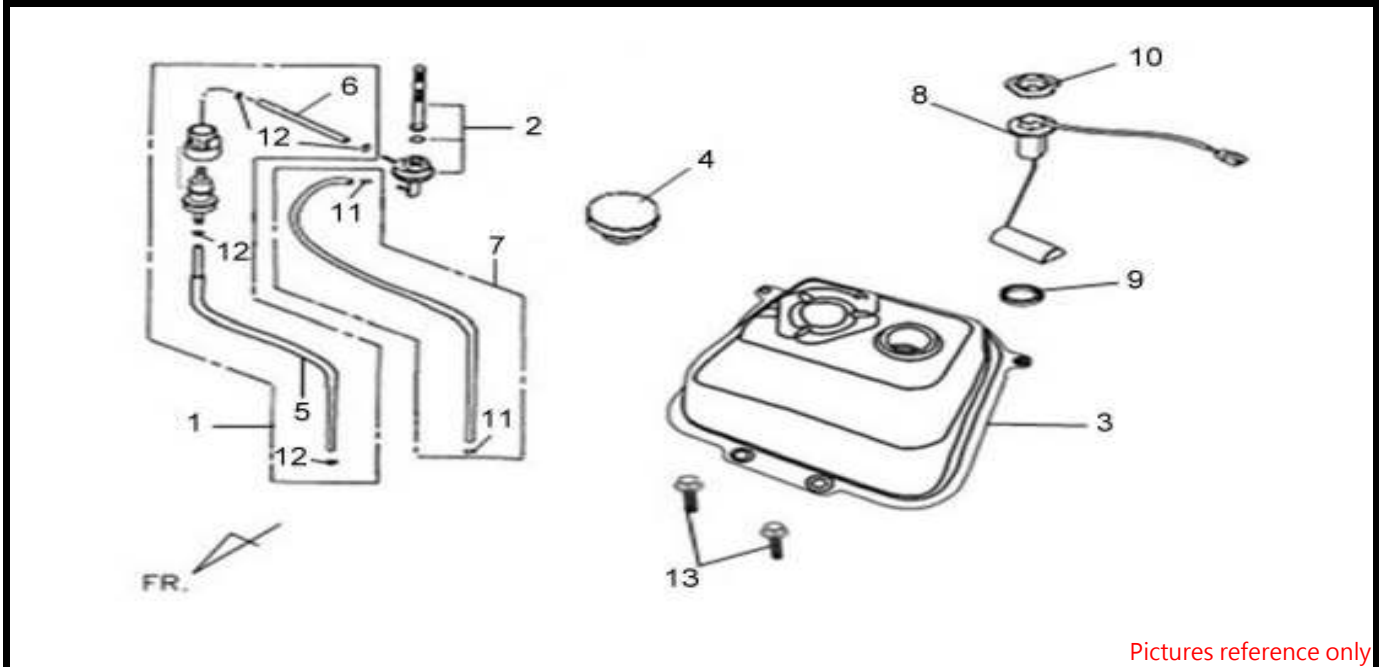
Pictures reference only

| NO   | PARTS NUMBER/REF | DESCRIPTION/DESCRIPCION                               | QTY |
|------|------------------|---|-----|
| 1.0  | 36600-A1A-010    | ENG.START CONTROL SW / Switch de control encendido    | 1   |
| 2.0  | 77200-AWU-800-T1 | DOUBLE SEAT COMP / Silla doble completa               | 1   |
| 3.0  | 77201-AAA-000    | SEAT HínGE COMP. / Bisagra completa de silla          | 1   |
| 4.0  | 77230-ALA-000    | SEAT CATCH COMP. / Recibidor completo de switch silla | 1   |
| 5.0  | 77240-ABA-000    | SEAT LOCK CABLE COMP / Cable completo de seguro silla | 1   |
| 6.0  | 81250-AAA-000    | LUGGAGE BOX / Cajuela de almacenaje                   | 1   |
| 7.0  | 81251-M9Q-000    | CARBURETOR MAínTANT COVER / Cubierta de carburador    | 1   |
| 8.0  | 87505-AWU-000    | TIRE LABEL / Calcomanía                               | 1   |
| 9.0  | 87560-XGA-000    | DRIVE CAUTION MARK / Calcomanía de precauciones       | 1   |
| 10.0 | 90115-ATA-000    | FLANGE BOLT 6*16 / Tornillo plano                     | 4   |
| 11.0 | 90302-M92-000    | SPRínG NUT 4MM / Resorte de tuerca                    | 1   |
| 12.0 | 90381-M9Q-000    | SPECIAL SCREW 6X17 / Tornillo especial                | 1   |
| 13.0 | 94050-06020      | FLANGE NUT 6MM / Tuerca                               | 2   |
| 14.0 | 95801-06012-08   | FLANGE BOLT 6X12 / Tornillo                           | 2   |



F12  
FUEL TANK

AE12W9-CO (CROX 125R)

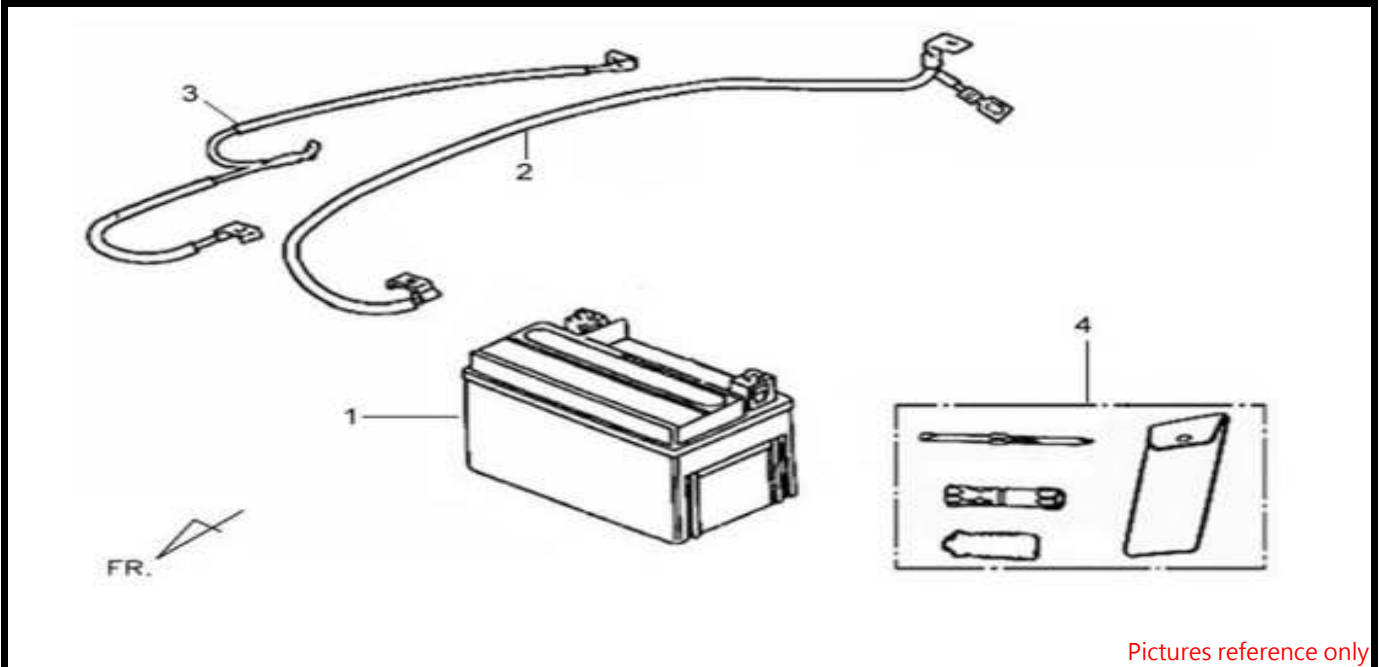


Pictures reference only

| NO   | PARTS NUMBER/REF | DESCRIPTION/DESCRIPCION                                  | QTY |
|------|------------------|--|-----|
| 1.0  | 16905-ABA-000    | FUEL STRAINER / Diafragma de gasolina y manguera         | 1   |
| 2.0  | 16950-M9Q-000    | FUEL COCK ASSY / Diafragma completo tanque gasolina      | 1   |
| 3.0  | 17500-AE1-000    | FUEL TANK COMP / Tanque de gasolina completo             | 1   |
| 4.0  | 17620-S7A-A00    | FUEL FILLER CAP COMP. / Tapa de tanque gasolina completa | 1   |
| 5.0  | 17682-ABA-000    | FUEL TUBE A / Tuberia de gasolina                        | 1   |
| 6.0  | 17683-AAA-000    | FUEL TANK TUBE / Tuberia de gasolina                     | 1   |
| 7.0  | 17684-ABA-000    | VACUUM TUBE / Tubo de vacio                              | 1   |
| 8.0  | 37800-ABA-000    | FUEL UNIT ASSY / Medidor de gasolina                     | 1   |
| 9.0  | 37801-M9Q-000    | BASE PACKING / Empaque de medidor                        | 1   |
| 10.0 | 37802-M9Q-000    | RET. FUEL UNIT / Retenedor de medidor gasolina           | 1   |
| 11.0 | 95002-02070      | TUBE CLIP B7 / Clip de manguera                          | 2   |
| 12.0 | 95002-02080      | BREATHER TUBE CLIP B8 / Chapeta clip                     | 4   |
| 13.0 | 95801-06012-07   | FLANGE BOLT 6X12 / Tornillo                              | 2   |

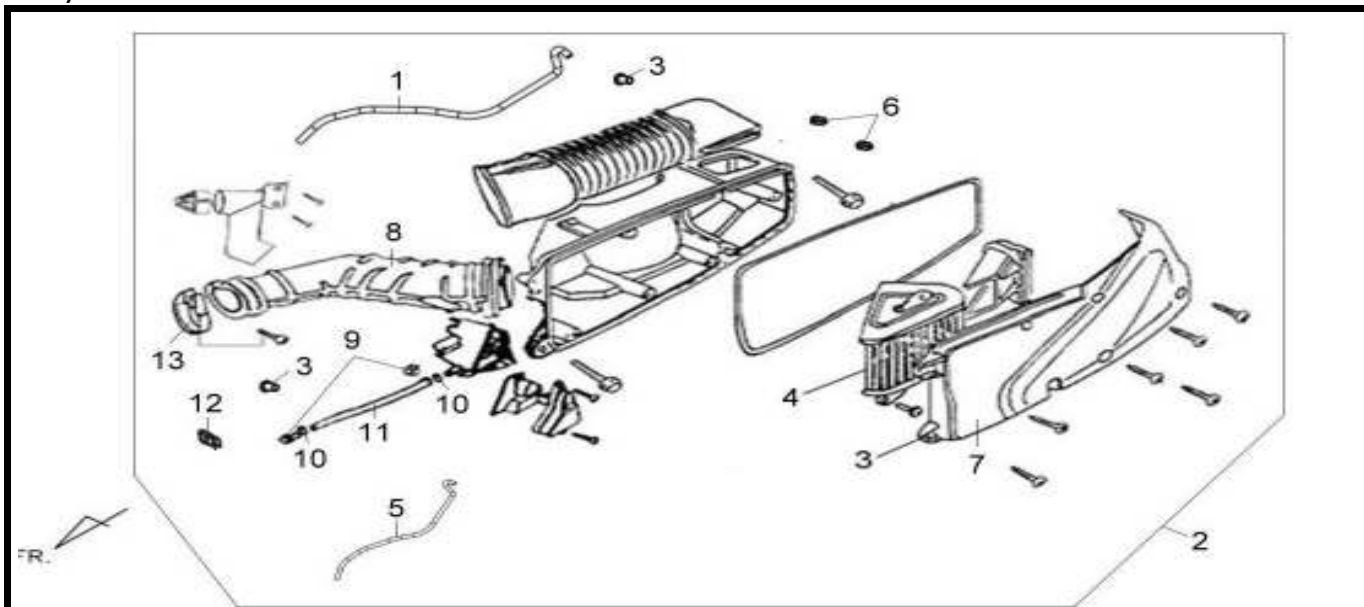
F13  
BATTERY ASS'Y

AE12W9-CO (CROX 125R)



Pictures reference only

| NO  | PARTS NUMBER/REF | DESCRIPTION/DESCRIPCION                   | QTY |
|-----|------------------|---|-----|
| 1.0 | 1Y01GY601-Y      | BATTERY ASSY. YTX7A-BS / Bateria completa | 1   |
| 2.0 | 32411-ABA-010    | CABLE BATTERY / Cable de bateria          | 1   |
| 3.0 | 32412-ABA-000    | EARTH CABLE A / Cable tierra              | 1   |
| 4.0 | 89010-ANG-000    | TOOL SET / Juego de herramienta           | 1   |

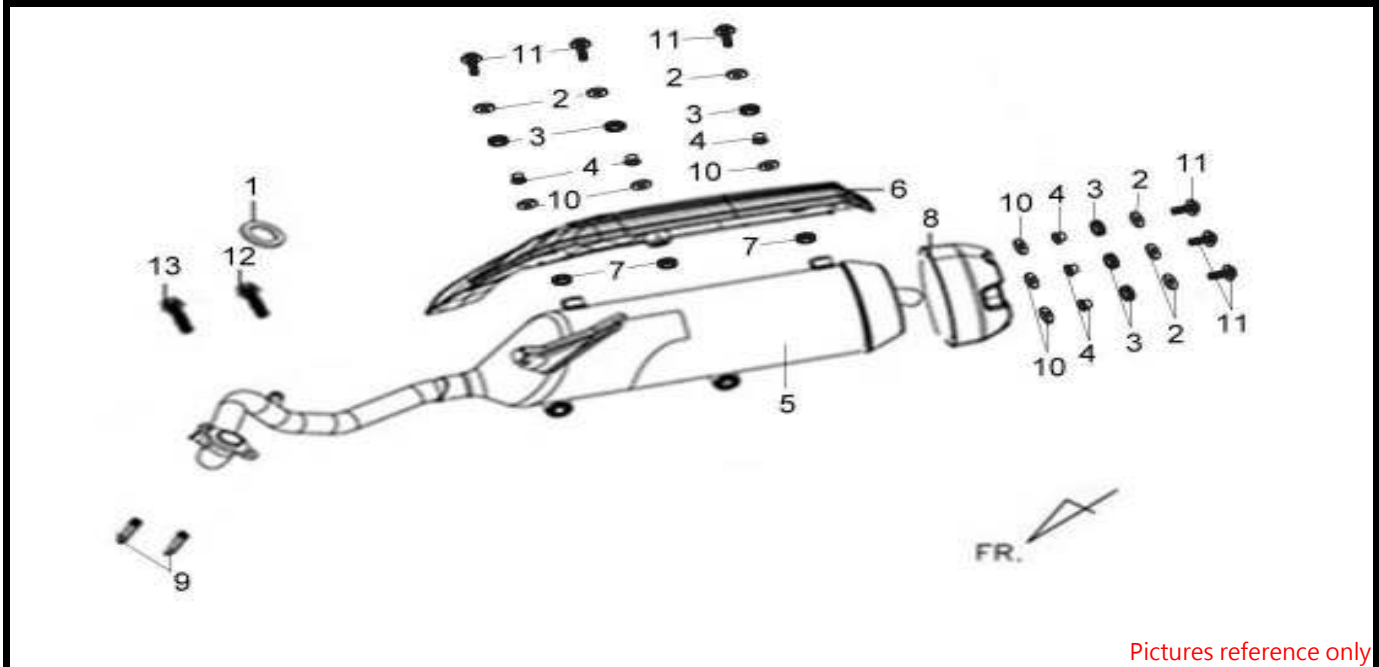


Pictures reference only

| NO   | PARTS NUMBER/REF | DESCRIPTION/DESCRIPCION   | QTY |
|------|------------------|---|-----|
| 1.0  | 11211-ANL-020    | BREATHER TUBE / Manguera de caja filtro                         | 1   |
| 2.0  | 17200-ANM-000    | AIR/C ASSY / Conjunto de caja filtro completa                   | 1   |
| 3.0  | 17208-M9Q-300    | AIR CLEANER SET COLLAR / Juego de bujes caja filtro             | 2   |
| 4.0  | 17211-M9Q-000    | AIR/C ELEMENT / Filtro de aire                                  | 1   |
| 5.0  | 17216-ABA-000    | AIR/C CASE DUCT / Ducto de caja filtro                          | 1   |
| 6.0  | 17217-M9Q-300    | ínSERT NUT 5MM / Tuerca   | 2   |
| 7.0  | 17231-ABA-010    | AIR/C COVER COMP. / Tapa de caja filtro                         | 1   |
| 8.0  | 17253-ABA-000    | AIR/C CONN TUBE / Tubo de caja filtro                           | 1   |
| 9.0  | 17370-M9Q-000    | PLUG,BREATHER TUBE. / Abrazadera y conexion de tubo caja filtro | 2   |
| 10.0 | 17371-M9Q-000    | BREATHER TUBE CLIP / Abrazadera de tubo caja filtro             | 2   |
| 11.0 | 90303-H68-000    | V TUBE 8*12*270 / Tubo  | 1   |
| 12.0 | 90308-X04-000    | SPECIAL NUT 5MM / Tuerca especial                               | 1   |
| 13.0 | 90652-M9Q-000    | AIR/C CONN. TUBE BAND / Manguera ducto de caja filtro           | 1   |

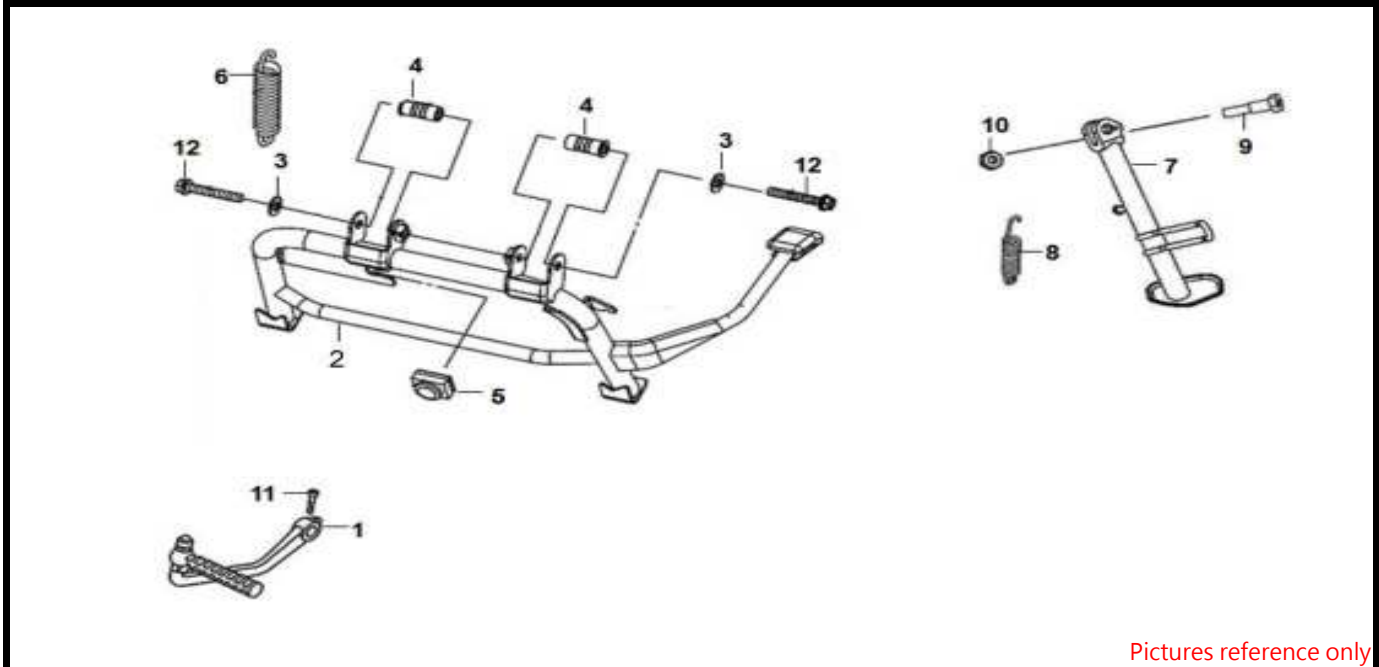
F15  
EXH. MUFFLER

AE12W9-CO (CROX 125R)



Pictures reference only

| NO   | PARTS NUMBER/REF | DESCRIPTION/DESCRIPCION                             | QTY |
|------|------------------|---|-----|
| 1.0  | 18291-M9Q-000    | EXH. PIPE GASKET(26.2X33) / Empaque de mofle        | 1   |
| 2.0  | 18292-F3E-000    | PROTECTOR PACKING A / Protector tipo a              | 6   |
| 3.0  | 18293-F7S-000    | PROTECTOR PACKING B / Protector tipo b              | 6   |
| 4.0  | 18295-F3E-000    | COLLAR M6 / Sellos                                  | 6   |
| 5.0  | 18300-AE1-000    | EXH. MUFFLER COMP. / Mofle completo                 | 1   |
| 6.0  | 18318-HE1-000    | MUFF.PROTECTOR / Protector de mofle                 | 1   |
| 7.0  | 18320-F3E-000    | PROTECTOR RUBBER / Arandela del protector           | 3   |
| 8.0  | 18328-HE1-000    | MUFFLER REAR PROTECTOR / Protector trasero de mofle | 1   |
| 9.0  | 90043-HMA-000    | CAP NUT / Tuerca                                    | 2   |
| 10.0 | 90555-AMA-000    | WASHER / Arandela                                   | 6   |
| 11.0 | 95801-06022-07   | FLANGE BOLT 6X22 / Tornillo                         | 6   |
| 12.0 | 95801-08045-07   | FLANGE BOLT 8X45 / Tornillo                         | 1   |
| 13.0 | 95801-08055-07   | FLANGE BOLT 8X55 / Tornillo                         | 1   |

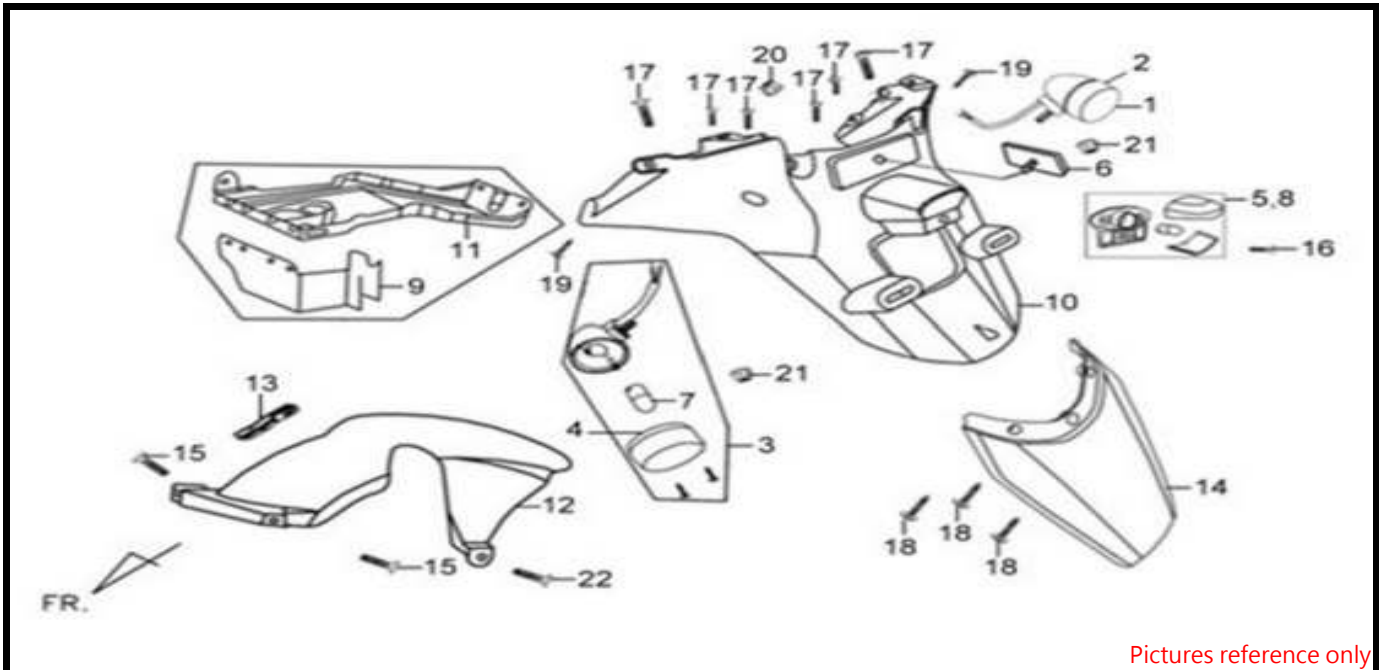


Pictures reference only

| NO   | PARTS NUMBER/REF | DESCRIPTION/DESCRIPCION                                     | QTY |
|------|------------------|---|-----|
| 1.0  | 28300-F6C-000    | KICK STARTER ARM / Palanca de crank                         | 1   |
| 2.0  | 50500-ANA-000    | MAÍN STAND COMP / Gato central completo                     | 1   |
| 3.0  | 50503-F6B-000    | MAÍN STAND WASHER / Arandela de gato central                | 2   |
| 4.0  | 50504-Z6A-000    | MAÍN STAND COLLAR / Buje de gato central                    | 2   |
| 5.0  | 50506-ABA-000    | STAND STOP RUBBER A / Tope de caucho gato central           | 1   |
| 6.0  | 5052A-APA-000    | MAÍN STAND SPRÍNG / Resorte de gato central                 | 1   |
| 7.0  | 50530-ABA-000    | SIDE STAND COMP / Gato lateral completo                     | 1   |
| 8.0  | 50533-Z7C-000    | SIDE STAND SPRÍNG / Resorte de gato lateral                 | 1   |
| 9.0  | 90108-AAG-000    | SIDE STAND PIVOT SCREW BOLT / Tornillo tope de gato lateral | 1   |
| 10.0 | 94030-08000      | HEX NUT 8MM / Tuerca hexagonal                              | 1   |
| 11.0 | 95801-06022-07   | FLANGE BOLT 6X22 / Tornillo                                 | 1   |
| 12.0 | 95801-08050-07   | FLANGE BOLT 8X50 / Tornillo                                 | 2   |

F17  
RR. MUDGUARD

AE12W9-CO (CROX 125R)

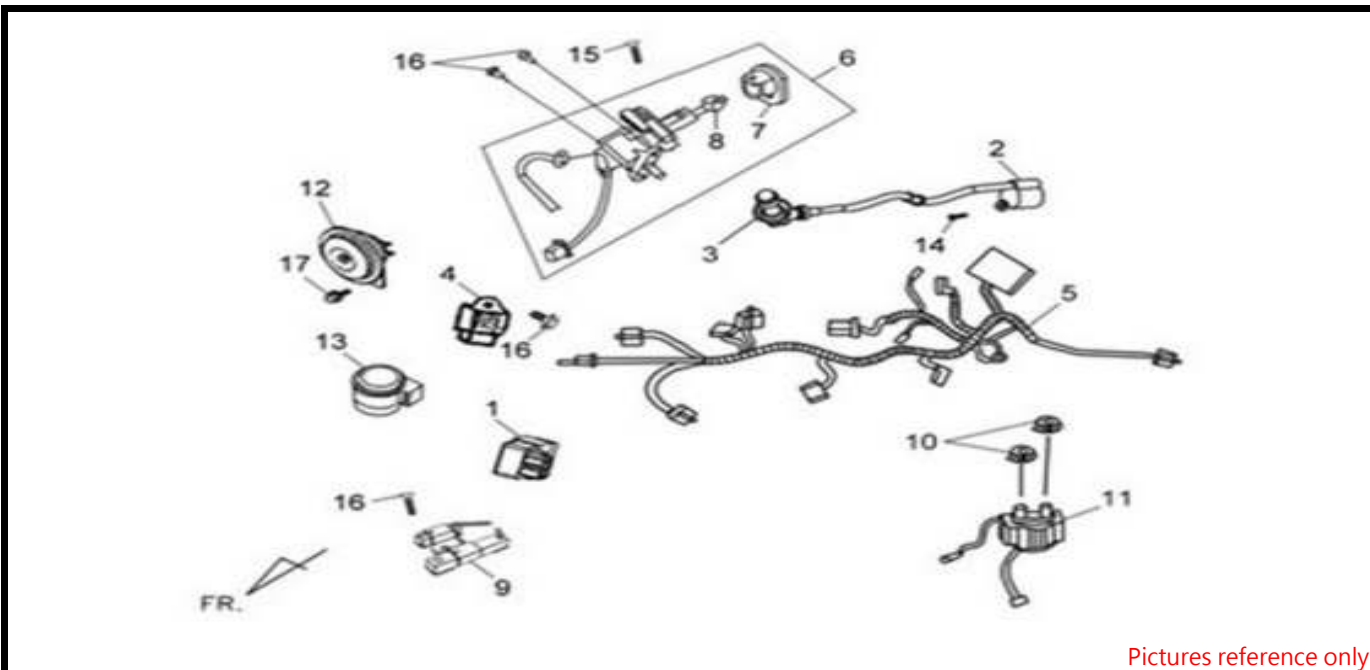


Pictures reference only

| NO   | PARTS NUMBER/REF | DESCRIPTION/DESCRIPCION                                      | QTY |
|------|------------------|--|-----|
| 1.0  | 33600-AEM-000    | R. RR. WíNKER ASSY / Direccional trasera derecha completa    | 1   |
| 2.0  | 33601-AEM-000    | R.RR.WíNKER LENS / Cubierta de direccional trasera derecha   | 1   |
| 3.0  | 33650-AEM-000    | L. RR. WíNKER ASS'Y / Direccional trasera izquierda completa | 1   |
| 4.0  | 33651-AEM-000    | L.RR.WíNKER LENS / Cubierta de direccional trasera izquierda | 1   |
| 5.0  | 33740-ABA-000    | LICENSE LIGHT ASSY / Luz placa completa                      | 1   |
| 6.0  | 33741-N7B-E10    | RR. FEFLEX REFLECTOR / Reflector trasero                     | 1   |
| 7.0  | 34905-M70-000    | WíNKER BULB RR 12V10W(E) / Bombillo de direccional           | 2   |
| 8.0  | 34908-M9Q-100    | POSITION BULB 12V-5W (E) / Bombillo de luz media             | 1   |
| 9.0  | 80104-ABA-000    | SPLASH GUARD PLATE / Platina guardabarro trasero             | 1   |
| 10.0 | 80105-ABA-000    | RR. FENDER / Guardabarro trasero                             | 1   |
| 11.0 | 80106-AE1-000    | RR ínNER FENDER / Base de guardabarro                        | 1   |
| 12.0 | 80107-AWR-000    | RR MUDGUARD / Guardabarro interno trasero                    | 1   |
| 13.0 | 80109-ANA-000    | RR.MDUGUARD STAY / Base de guardabarro                       | 1   |
| 14.0 | 80110-AE3-000    | RR FENDER MUDGUARD / Cubierta de guardabarro trasero         | 1   |
| 15.0 | 90111-M9Q-800    | FLANGE BOLT 6MM / Tornillo                                   | 2   |
| 16.0 | 93891-05014-07   | SCREW WASHER 5X14 / Arandela                                 | 1   |
| 17.0 | 93903-35220      | SCREW TAPPíNG 5X12 / Tornillo                                | 6   |
| 18.0 | 93903-35280      | TAPPíNG SCREW 5X12 / Tornillo                                | 3   |
| 19.0 | 93903-44380      | TAPPíNG SCREW 4X12 / Tornillo                                | 2   |
| 20.0 | 94050-05070      | FLANGE NUT 5MM / Tuerca                                      | 1   |
| 21.0 | 94050-05080      | FLANGE NUT 5MM / Tuerca                                      | 2   |
| 22.0 | 95801-06012-08   | FLANGE BOLT 6X12 / Tornillo                                  | 1   |

F18  
WIRE HARNESS

AE12W9-CO (CROX 125R)

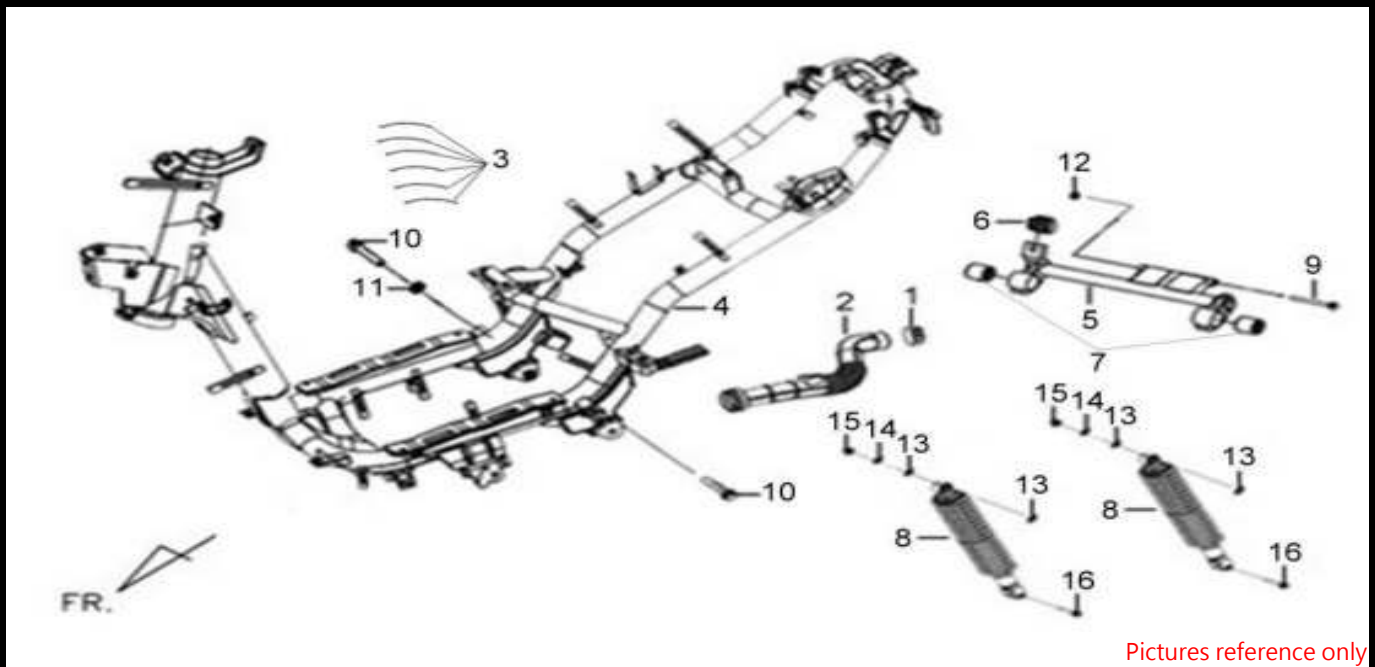


Pictures reference only

| NO   | PARTS NUMBER/REF | DESCRIPTION/DESCRIPCION                             | QTY |
|------|------------------|---|-----|
| 1.0  | 30410-M92-000    | CDI UNIT ASSY / Cdi completo                        | 1   |
| 2.0  | 3051A-T7A-000    | IGN.COIL ASSY / Bobina de encendido completa        | 1   |
| 3.0  | 30700-T7A-A00    | NOISE SUPPERSOR CAP ASSY / Capuchón de bujía        | 1   |
| 4.0  | 31600-ZDA-000    | REG.REC.COMP / Regulador                            | 1   |
| 5.0  | 32100-AEL-010    | WIRE HARNESS / Ramal electrico                      | 1   |
| 6.0  | 35010-ABA-000    | KEY SET / Switch completo                           | 1   |
| 7.0  | 35110-ABA-000    | RínG / Tapa de switch                               | 1   |
| 8.0  | 35111-A8D-000-A  | KEY / Llave   | 1   |
| 9.0  | 35400-T3D-A00    | RESISTOR COMP / Resistor completo                   | 1   |
| 10.0 | 35859-M9Q-000    | STAR MAG. SW NUT / Tuerca de relay de arranque      | 2   |
| 11.0 | 3585A-35A-A00    | START MAG. SW. / Relay de arranque                  | 1   |
| 12.0 | 38110-ABA-000    | HORN COMP / Pito                                    | 1   |
| 13.0 | 38300-T40-010    | WínKER RELAY ASSY / Relay de direccionales completa | 1   |
| 14.0 | 90112-AAA-000    | FLANGE BOLT 5*22 / Tornillo                         | 1   |
| 15.0 | 93891-05010-08   | WASHER SCREW 5X10 / Arandela                        | 1   |
| 16.0 | 95801-06016-07   | FLANGE BOLT 6X16 / Tornillo                         | 2   |
| 17.0 | 95801-08012-07   | FLANGE BOLT 8X12 / Tornillo                         | 1   |

F19  
FRAME BODY

AE12W9-CO (CROX 125R)



Pictures reference only

| NO   | PARTS NUMBER/REF | DESCRIPTION/DESCRIPCION                   | QTY |
|------|------------------|---|-----|
| 1.0  | 11346-ABA-000    | L COVER DUCT BAND /Abrazadera de ducto    | 1   |
| 2.0  | 1134B-ABA-000    | LCOVER DUCT ASSY /Juego completo ducto    | 1   |
| 3.0  | 32161-APA-000    | WIRE HARNESS BAND 300MM /Correas de ramal | 6   |
| 4.0  | 50100-AE1-000    | FRAME BODY /Topes de chasis               | 1   |
| 5.0  | 50351-ANA-010    | ENG.HANGER LínK /Pasador de motor         | 1   |
| 6.0  | 50352-A1A-000    | Lín STOPPER RUBBER /Arandela buje trasera | 1   |
| 7.0  | 50353-M9Q-000    | SWínG LOCK BUSH /Seguro giratorio         | 2   |
| 8.0  | 52400-AWR-000-K  | RR.CUSHION /Amortiguador trasero          | 2   |
| 9.0  | 90105-ARA-000    | FLANGE BOLT 10*191 /Tornillo plano        | 1   |
| 10.0 | 90106-ABA-000    | FLANGE BOLT 10*55 /Tornillo               | 2   |
| 11.0 | 90121-M9Q-000    | DISTANCE COLLAR /Separador                | 1   |
| 12.0 | 90304-AAA-000    | FLANGE U NUT 10MM /Tornillo               | 1   |
| 13.0 | 90555-B04-000    | WASHER 12MM /Arandela                     | 4   |
| 14.0 | 94050-10040      | FLANGE NUT 10MM /Tuerca                   | 2   |
| 15.0 | 94101-10000      | PLAín WASHER 10MM /Arandela               | 2   |
| 16.0 | 95801-08035-00   | FLANGE BOLT M8X35 /Tornillo               | 2   |



MODEL : AE12W9-CO

## PARTS NO. INDEX

2014/09

| PARTS NO.          | NO. | PARTS NO.        | NO. | PARTS NO.       | NO. |
|--------------------|-----|------------------|-----|-----------------|-----|
| 11100-ARA-000      | E04 | 14451-ANL-000    | E02 | 18293-F7S-000   | F15 |
| 11102-M9Q-300      | E12 | 14452-ANL-000    | E02 | 18295-F3E-000   | F15 |
| 11102-M9Q-300      | E04 | 14457-ANL-000    | E03 | 18300-AE1-000   | F15 |
| 11192-F6C-000      | E12 | 14510-F8A-000    | E03 | 18318-HE1-000   | F15 |
| 11200-ANA-010      | E12 | 14520-M9Q-000    | E05 | 18320-F3E-000   | F15 |
| 11202-M92-000      | E12 | 14523-GY6-900    | E05 | 18328-HE1-000   | F15 |
| 11203-AFA-000      | E11 | 14531-M9Q-000    | E12 | 18601-MJ1-790   | E02 |
| 11203-GC7-300      | F10 | 1453A-M92-000    | E12 | 18612-GY6-A00   | E02 |
| 11203-GC7-300      | E12 | 14610-F8A-000    | E03 | 18645-M9Q-000   | E02 |
| 11204-ABA-000      | E12 | 14711-F8A-000    | E02 | 18647-F6S-000   | E02 |
| 11205-F6A-300      | E04 | 14721-F8A-000    | E02 | 1865A-ANL-000   | E02 |
| 11211-ANL-020      | F14 | 14751-ARA-000    | E02 | 18670-S6N-000   | E14 |
| 11221-ABA-000      | E11 | 14771-F6C-A00    | E02 | 19510-F6A-010   | E07 |
| 11331-ARB-000      | E06 | 14781-A01-A00    | E02 | 1961A-ANL-000   | E01 |
| 11341-ANA-000-K1   | E08 | 15100-F6C-000-XS | E04 | 19625-F8A-000   | E01 |
| 11342-ANA-000      | E08 | 15133-F6C-000    | E04 | 19626-F8A-000   | E01 |
| 11343-ANA-000      | E08 | 15421-H66-000    | E06 | 1962A-ANL-000   | E01 |
| 11346-ABA-000      | F19 | 15426-GE1-920    | E06 | 19635-ANL-000   | E01 |
| 1134B-ABA-000      | F19 | 1565A-F6A-000    | E06 | 1963A-ANL-000   | E01 |
| 11360-M92-300      | E08 | 15711-M92-000    | E04 | 1B01ANA01       | E09 |
| 11394-F6C-000      | E06 | 16100-ANM-000    | E14 | 1C14401-M92-000 | E03 |
| 11395-ANA-000      | E08 | 16201-ANL-010    | E02 | 1PCR7HSA-3      | E02 |
| 12100-ARA-000      | E05 | 16211-ANL-010    | E02 | 1Y01GY601-Y     | F13 |
| 12100-ARA-000-A-XS | E05 | 16905-ABA-000    | F12 | 21200-A6A-000   | E11 |
| 12191-F6C-000      | E05 | 16950-M9Q-000    | F12 | 21395-ABA-000   | E11 |
| 12200-ANL-000      | E02 | 1711A-ANM-000    | E14 | 22101-M9Q-000   | E10 |
| 12209-H6B-900      | E02 | 17200-ANM-000    | F14 | 22102-M92-000   | E09 |
| 12237-F6A-300      | E02 | 17208-M9Q-300    | F14 | 22105-M92-000   | E09 |
| 12251-H7A-000      | E02 | 17211-M9Q-000    | F14 | 22110-H5B-000   | E09 |
| 12302-ANL-000      | E02 | 17216-ABA-000    | F14 | 2211A-ARA-000   | E09 |
| 12308-F6C-000      | E02 | 17217-M9Q-300    | F14 | 22121-HKE-000-A | E09 |
| 12310-A61-000      | E02 | 17231-ABA-010    | F14 | 22131-M92-000   | E09 |
| 1236A-M9T-000      | E06 | 17253-ABA-000    | F14 | 22132-ARA-000-A | E09 |
| 12391-F8A-000      | E02 | 17256-M9Q-000    | E14 | 22300-F6C-000   | E10 |
| 13000-ANL-000      | E13 | 17370-M9Q-000    | F14 | 22350-HKE-000   | E10 |
| 13010-U3A-000      | E05 | 17371-M9Q-000    | F14 | 22361-M9Q-000   | E10 |
| 13101-ANL-000      | E05 | 17500-AE1-000    | F12 | 22401-H6T-000   | E10 |
| 13111-ARA-000      | E13 | 17620-S7A-A00    | F12 | 22804-M9Q-000   | E10 |
| 13201-ARA-000      | E13 | 17682-ABA-000    | F12 | 23010-F6C-000   | E10 |
| 13381-M92-300      | E13 | 17683-AAA-000    | F12 | 23200-HKE-000   | E10 |
| 14100-ANL-000      | E03 | 17684-ABA-000    | F12 | 23210-HKE-000   | E10 |
| 14105-F6A-000      | E03 | 17910-AEL-000    | F03 | 23220-HKE-000   | E10 |
| 14311-F6A-300      | E13 | 18241-F6S-000    | E01 | 23225-HKE-000   | E10 |
| 14439-F8A-000      | E02 | 18291-M9Q-000    | F15 | 23226-M9Q-000   | E10 |
| 1443A-ANL-000      | E02 | 18292-F3E-000    | F15 | 23233-M9Q-000   | E10 |

MODEL : AE12W9-CO

## PARTS NO. INDEX

2014/09

| PARTS NO.     | NO. | PARTS NO.        | NO. | PARTS NO.        | NO. |
|---------------|-----|------------------|-----|------------------|-----|
| 23237-M9Q-000 | E10 | 33601-AEM-000    | F17 | 44830-XDE-000    | F02 |
| 23238-HKE-000 | E10 | 33650-AEM-000    | F17 | 45100-ATA-000-R  | F04 |
| 23411-ANL-000 | E11 | 33651-AEM-000    | F17 | 45105-APA-000-A  | F04 |
| 23420-ANL-010 | E11 | 33700-AEN-000    | F07 | 45121-AWU-000-K  | F09 |
| 23431-AR1-000 | E11 | 33701-AEN-000    | F07 | 45121-AWU-000-K  | F10 |
| 23432-ANL-000 | E11 | 33740-ABA-000    | F17 | 45126-AWU-000    | F04 |
| 2343A-AES-000 | E11 | 33741-N7B-E10    | F17 | 45156-AAA-000    | F08 |
| 28101-M9Q-000 | E04 | 34901-X06-000    | F01 | 45465-AAA-000    | F08 |
| 28102-GY6-900 | E04 | 34905-M70-000    | F17 | 45500-AE1-000-R  | F04 |
| 28110-M9Q-000 | E04 | 34905-M70-000    | F01 | 50100-AE1-000    | F19 |
| 28120-M9Q-000 | E04 | 34906-268-600    | F07 | 50180-AWU-000    | F05 |
| 28124-H6T-000 | E04 | 34906-ABF-000    | F01 | 50300-M9Q-A00    | F08 |
| 28125-M92-000 | E04 | 34908-M9Q-100    | F17 | 50301-M9Q-000-XS | F08 |
| 28126-M9Q-000 | E04 | 35010-ABA-000    | F18 | 50302-M9Q-000-XS | F08 |
| 2812A-H6T-900 | E04 | 35110-ABA-000    | F18 | 50303-AAA-000    | F08 |
| 28230-H6T-000 | E08 | 35111-A8D-000-A  | F18 | 50304-AAA-000    | F08 |
| 28233-M92-000 | E08 | 35150-XDE-000    | F03 | 50306-M9Q-000-XS | F08 |
| 28250-ARA-000 | E08 | 35200-AEN-000    | F03 | 50326-AAA-000    | F06 |
| 28254-M92-000 | E08 | 35342-XDE-000    | F04 | 50351-ANA-010    | F19 |
| 28258-HEB-000 | E08 | 35342-XDE-000    | F10 | 50352-A1A-000    | F19 |
| 28281-ARA-000 | E08 | 35400-T3D-A00    | F18 | 50353-M9Q-000    | F19 |
| 28300-F6C-000 | F16 | 35859-M9Q-000    | F18 | 50500-ANA-000    | F16 |
| 30410-M92-000 | F18 | 3585A-35A-A00    | F18 | 50503-F6B-000    | F16 |
| 3051A-T7A-000 | F18 | 36600-A1A-010    | F11 | 50504-Z6A-000    | F16 |
| 30700-T7A-A00 | F18 | 37200-AWU-000    | F02 | 50506-ABA-000    | F16 |
| 31110-X1A-000 | E07 | 37212-AJF-000    | F02 | 5052A-APA-000    | F16 |
| 31120-X1A-000 | E07 | 37800-ABA-000    | F12 | 50530-ABA-000    | F16 |
| 31200-F6C-000 | E12 | 37801-M9Q-000    | F12 | 50533-Z7C-000    | F16 |
| 31600-ZDA-000 | F18 | 37802-M9Q-000    | F12 | 50612-APA-000    | F06 |
| 32100-AEL-010 | F18 | 38110-ABA-000    | F18 | 50613-ABF-000    | F06 |
| 32161-APA-000 | F19 | 38300-T40-010    | F18 | 51400-AWA-000    | F08 |
| 32162-H6T-000 | F07 | 42601-XJA-000-K  | F10 | 51500-AWA-000    | F08 |
| 32411-ABA-010 | F13 | 42710-ANG-000    | F10 | 52100-AEF-000    | F10 |
| 32412-ABA-000 | F13 | 42753-ABA-000    | F09 | 52400-AWR-000-K  | F19 |
| 32961-ARA-000 | E06 | 42753-ABA-000    | F10 | 53100-AWU-000-GY | F03 |
| 33100-AEM-000 | F01 | 43100-XJA-000    | F10 | 53104-N5G-B00    | F03 |
| 33107-A7A-000 | F01 | 43105-ARB-000-A  | F10 | 53125-CT1C-A00   | F02 |
| 33140-AEM-000 | F01 | 43126-AE1-000    | F10 | 53131-AWU-000    | F03 |
| 33145-AWU-000 | F01 | 43500-AE1-000    | F10 | 53132-AWU-000    | F03 |
| 33146-AWU-000 | F01 | 44301-AAA-000    | F09 | 53140-N7K-000    | F03 |
| 33400-AEM-000 | F01 | 44311-AAA-000    | F09 | 53166-N7K-000    | F03 |
| 33401-AEM-000 | F01 | 44601-XFA-000-K  | F09 | 53170-AWU-000    | F04 |
| 33450-AEM-000 | F01 | 44620-AAA-000    | F09 | 53178-AE1-000    | F10 |
| 33451-AEM-000 | F01 | 44710-ANG-000    | F09 | 53200-AAA-000    | F08 |
| 33600-AEM-000 | F17 | 44800-ATA-000-BT | F09 | 53201-AWU-000    | F02 |

MODEL : AE12W9-CO

## PARTS NO. INDEX

2014/09

| PARTS NO.        | NO. | PARTS NO.        | NO. | PARTS NO.     | NO. |
|------------------|-----|------------------|-----|---------------|-----|
| 53205-AWU-000-AE | F03 | 81250-AAA-000    | F11 | 90034-ABA-000 | E02 |
| 53205-AWU-000-KC | F03 | 81251-M9Q-000    | F11 | 90034-HMA-000 | E02 |
| 53205-AWU-000-WD | F03 | 83500-AAA-000-BU | F07 | 90043-HMA-000 | F15 |
| 53207-B9A-000-BU | F02 | 83500-AAA-000-KC | F07 | 90083-B12-000 | E03 |
| 53207-B9A-000-KC | F02 | 83500-AAA-000-WD | F07 | 90103-ANA-000 | E12 |
| 53207-B9A-000-WD | F02 | 83600-AAA-000-BU | F07 | 90105-ANA-000 | F07 |
| 53208-AWU-000    | F03 | 83600-AAA-000-KC | F07 | 90105-ARA-000 | F19 |
| 53209-AWU-000    | F03 | 83600-AAA-000-WD | F07 | 90106-AAA-000 | F02 |
| 53211-M9Q-000-XS | F08 | 83750-AAA-000    | F07 | 90106-ABA-000 | F19 |
| 53212-M9Q-000-XS | F08 | 87123-AE1-000-T1 | F05 | 90106-N02-000 | F09 |
| 53214-M9Q-000    | F08 | 87123-AE1-000-T2 | F05 | 90106-N02-000 | F10 |
| 53215-M9Q-000    | F08 | 87123-AWU-000-T2 | F05 | 90108-AAG-000 | F16 |
| 53231-AWU-000    | F02 | 87124-AWU-000-T2 | F05 | 90109-42128   | F05 |
| 53231-AWU-000    | F03 | 87125-AWU-000-T2 | F08 | 90109-42168   | F06 |
| 61100-AWU-000-AE | F08 | 87126-AWU-000-T2 | F08 | 90110-AWU-000 | F03 |
| 61100-AWU-000-KC | F08 | 87127-AWU-000-T2 | F07 | 90111-AAA-000 | F06 |
| 61100-AWU-000-WD | F08 | 87128-AEN-000    | F07 | 90111-AWU-000 | F05 |
| 64301-AWU-000-BU | F05 | 87128-AWU-000-T2 | F07 | 90111-M9Q-800 | F17 |
| 64301-AWU-000-KC | F05 | 87129-AWU-000-T2 | F07 | 90112-AAA-000 | F18 |
| 64301-AWU-000-WD | F05 | 87130-AWU-000-T2 | F07 | 90115-ATA-000 | F11 |
| 64302-AWU-000    | F05 | 87131-AE1-000-T1 | F08 | 90115-G02-000 | F06 |
| 64303-AWU-000-AE | F01 | 87131-AE1-000-T2 | F08 | 90121-M9Q-000 | F19 |
| 64303-AWU-000-KC | F01 | 87131-AER-000-T2 | F05 | 90131-ARB-000 | F10 |
| 64303-AWU-000-WD | F01 | 87132-AE1-000-T1 | F08 | 90145-M9Q-000 | F04 |
| 64307-ABA-000    | F03 | 87132-AE1-000-T2 | F08 | 90145-M9Q-000 | F10 |
| 64310-ABF-000    | F06 | 87132-AER-000-T2 | F05 | 90164-M9Q-000 | F05 |
| 64318-ALA-000-BK | F05 | 87133-AER-000-T1 | F05 | 90164-M9Q-000 | F08 |
| 77200-AWU-800-T1 | F11 | 87133-AER-000-T2 | F05 | 90201-GY6-900 | E04 |
| 77201-AAA-000    | F11 | 87134-AER-000-T1 | F05 | 90202-M9Q-000 | E10 |
| 77230-ALA-000    | F11 | 87134-AER-000-T2 | F05 | 90206-HLK-000 | E02 |
| 77240-ABA-000    | F11 | 87170-AEL-000    | F03 | 90301-M9Q-900 | F02 |
| 80104-ABA-000    | F17 | 87170-AKA-A00-T1 | F05 | 90302-M92-000 | F06 |
| 80105-ABA-000    | F17 | 87170-AKA-A00-T2 | F05 | 90302-M92-000 | F11 |
| 80106-AE1-000    | F17 | 87170-ATA-000    | F07 | 90303-H68-000 | F14 |
| 80107-AWR-000    | F17 | 87505-AWU-000    | F11 | 90304-AAA-000 | F02 |
| 80109-ANA-000    | F17 | 87560-XGA-000    | F11 | 90304-AAA-000 | F19 |
| 80110-AE3-000    | F17 | 88110-Z8H-000    | F03 | 90306-N7C-000 | F09 |
| 80151-AAA-000    | F06 | 88120-Z8H-000    | F03 | 90308-X04-000 | F06 |
| 81131-ABF-000    | F05 | 89010-ANG-000    | F13 | 90308-X04-000 | F14 |
| 81132-H12-000    | F06 | 90001-M9Q-000    | E05 | 90381-M9Q-000 | F11 |
| 81132-M7Q-000    | F05 | 90002-ANL-000    | E02 | 90401-ANL-000 | E11 |
| 81133-ABA-000    | F05 | 90002-M9Q-000    | E04 | 90403-M92-000 | E04 |
| 81133-H12-000    | F06 | 90012-M9Q-000    | E02 | 90440-166-000 | E07 |
| 81200-AWU-000-K1 | F07 | 90031-M2Q-000    | E05 | 90440-166-000 | E09 |
| 81200-AWU-000-WA | F07 | 90032-A6A-000    | E05 | 90440-166-000 | E10 |

MODEL : AE12W9-CO

## PARTS NO. INDEX

2014/09

| PARTS NO.        | NO. | PARTS NO.      | NO. | PARTS NO.      | NO. |
|------------------|-----|----------------|-----|----------------|-----|
| 90451-M7Q-000    | E08 | 93903-35220    | F17 | 95801-08035-07 | F10 |
| 90452-M9Q-000    | E08 | 93903-35240    | F02 | 95801-08040-00 | F08 |
| 90474-333-000-KD | E12 | 93903-35240    | F02 | 95801-08045-07 | F15 |
| 90545-M9Q-000    | F04 | 93903-35240    | F06 | 95801-08045-07 | F10 |
| 90545-M9Q-000    | F10 | 93903-35240    | F07 | 95801-08050-07 | F16 |
| 90555-AMA-000    | F15 | 93903-35240    | F05 | 95801-08055-07 | F15 |
| 90555-B04-000    | F19 | 93903-35280    | F17 | 95801-08064-08 | F10 |
| 90555-T3A-A00    | F03 | 93903-35320    | F07 | 96001-06012-08 | E04 |
| 90602-N01-000    | E04 | 93903-44380    | F17 | 96001-06016-08 | E03 |
| 90605-166-720    | E10 | 93903-45320    | F05 | 96001-06016-08 | E12 |
| 90652-M9Q-000    | F14 | 93904-35380    | E01 | 96001-06018-08 | E07 |
| 90703-M8Q-000    | E11 | 94030-08000    | F16 | 96001-06025-08 | E01 |
| 90703-M8Q-000    | E05 | 94050-05070    | F17 | 96001-06028-00 | E08 |
| 90703-M8Q-000    | E12 | 94050-05080    | F17 | 96001-06028-08 | E07 |
| 90754-M9Q-000-M2 | F09 | 94050-06000    | E14 | 96001-06030-08 | E06 |
| 90912-M9Q-000-M1 | F09 | 94050-06020    | F11 | 96001-06045-08 | E04 |
| 91001-F6A-300    | E13 | 94050-08080    | E02 | 96001-06055-08 | E04 |
| 91001-GY6-900-M1 | E10 | 94050-10040    | F19 | 96001-06095-08 | E06 |
| 91001-H6B-300    | E13 | 94050-12000    | E07 | 96001-06095-08 | E02 |
| 91002-GA7-701    | E10 | 94050-12000    | E09 | 96001-06100-08 | E06 |
| 91003-M8Q-000    | E11 | 94050-12000    | E10 | 96100-62033-10 | E11 |
| 91101-M9Q-000    | E13 | 94101-10000    | F19 | 96100-63013-00 | E11 |
| 91104-KN7-670    | E11 | 94103-06400    | F02 | 96150-62043-10 | E11 |
| 91104-M9Q-000    | E04 | 94109-12000    | E12 | 96700-06012-08 | F05 |
| 91105-M9Q-000    | E04 | 94301-08140    | E06 | 96700-06022-00 | F04 |
| 91201-HHA-300    | E11 | 94301-08140    | E12 | 96700-06025-07 | F03 |
| 91201-M9Q-300-M1 | E04 | 94510-25000    | E11 |                |     |
| 91202-A6A-000    | E09 | 94511-14000    | E08 |                |     |
| 91202-KJ9-003    | E11 | 94520-28000    | E10 |                |     |
| 91211-M8Q-000    | E10 | 94601-15000    | E13 |                |     |
| 91258-M9Q-000-M2 | F09 | 95002-02070    | E14 |                |     |
| 91302-M9Q-000    | E06 | 95002-02070    | F12 |                |     |
| 91304-M9Q-000    | E12 | 95002-02080    | F12 |                |     |
| 91305-M9Q-000    | E02 | 95005-35050-50 | E14 |                |     |
| 91307-035-000    | E06 | 95701-06025-00 | E02 |                |     |
| 91384-M9Q-000    | E10 | 95701-06045-00 | E02 |                |     |
| 92101-05012-0A   | E07 | 95801-06012-07 | F12 |                |     |
| 92800-12000      | E12 | 95801-06012-08 | F02 |                |     |
| 93404-06016-00   | F06 | 95801-06012-08 | F11 |                |     |
| 93404-06016-00   | F08 | 95801-06012-08 | F17 |                |     |
| 93500-05012-0H   | E08 | 95801-06016-07 | F18 |                |     |
| 93600-06025-0H   | E04 | 95801-06022-07 | F16 |                |     |
| 93891-05010-08   | F18 | 95801-06022-07 | F15 |                |     |
| 93891-05014-07   | F17 | 95801-08012-07 | F18 |                |     |
| 93903-34340      | F01 | 95801-08035-00 | F19 |                |     |